



JL-9511

DISMANTLE TOOL FOR SHOCK ABSORBERS



Multi-country patented

China

ZL 01 2 08226. 0

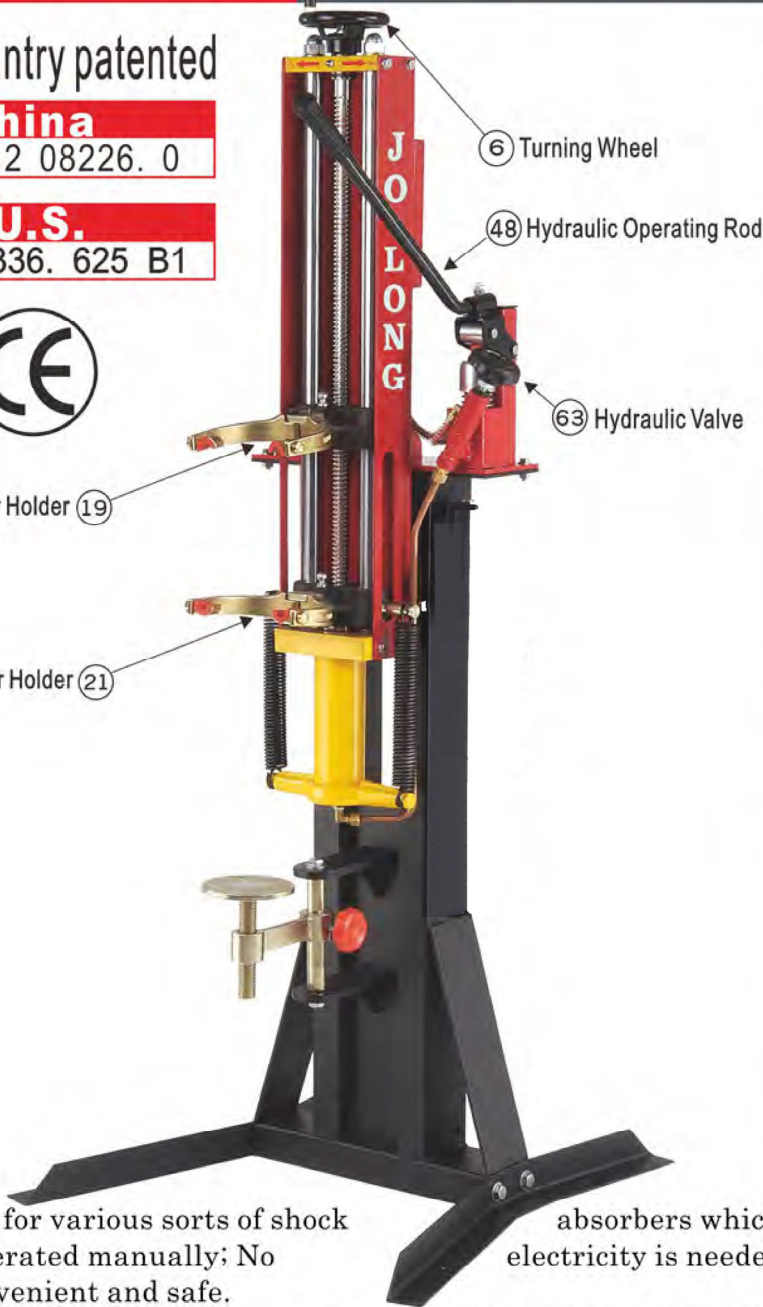
U.S.

US 6.336. 625 B1



Fastener Holder (19)

Fastener Holder (21)



Standard Clamp

<A>





<C>



Feature:

1. Suitable for various sorts of shock absorbers which can be dismantled from vehicles.
2. To be operated manually; No electricity is needed. The operation is quite easy. It is both convenient and safe.
3. Equipped with 3 types of string fixation device; various sizes all can be applied herewith. The usage purpose is quite broad and far-flung.
4. Fixation hole is attached to the bottom foot rack. It can be fixed securely to the floor of work place or can be attached with flexible wheel for easy movement.
5. Professional dismantler of shock absorber: Equipped with many sorts of clamping device; can be freely coordinated & matched for better usage. This makes your job process safer and quicker.

Specification:

Model	Packing	N.W.	G.W.	CUFT
JL-9511	Wooden Crate	87.5 kgs	107.0 kgs	13'