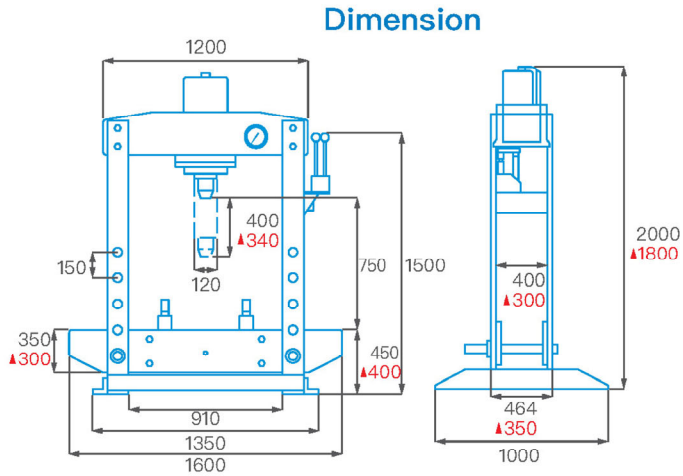


**HP602 / HP1002**



▲ Applicable to HP602 dimensions.

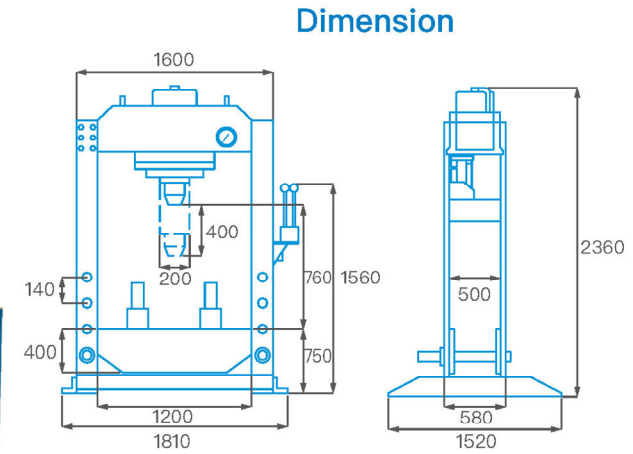
Dimension tolerances within ±5 mm are considered normal.

**60TON / 100TON / 150 TON Automatic Hydraulic Press Feature**

- (1) Work table can freely adjust working distance (up-down) as per the size of work piece.
- (2) Suitable to be applied for such functions as bending, deforming, rectifying, modeling or for bearing and gear shaft arbor getting pressed in or enforcing out.
- (3) Suitable for large-sized vehicles, ships, or steel / iron industries, agricultural machinery, miner machinery, etc. Best helper to the production and repair of work piece of big size.
- (4) Electric hydraulic press is equipped with dual-speed high/low pressure: The operation is quick and convenient. Also, pressure safety valve is also equipped. When pressure exceeds what it is supposed to be, it will release pressure automatically. The operation is quite safe, quick and convenient.
- (5) HP602 and HP1002 use the main hydraulic cylinder with a chain, allowing easy adjustment of the worktable height.
- (6) HP1502 Working bench adjust height by oil cylinder, it can simplify difficulty of operation.



**HP1502**



Dimension tolerances within ±5 mm are considered normal.

Model	Capacity	Cylinder Bore	Pressure	Cylinder Stroke	Packing	N.W.	G.W.	CUFT
HP602	60 TON	∅ 200 mm	220 kg/cm <sup>2</sup>	340 mm	Wooden Crate	956.0 kgs	1076.0 kgs	174'
HP1002	100 TON	∅ 250 mm		400 mm		1386.0 kgs	1550.0 kgs	200'
HP1502	150 TON	∅ 300 mm		400 mm		3200.0 kgs	3400.0 kgs	240'