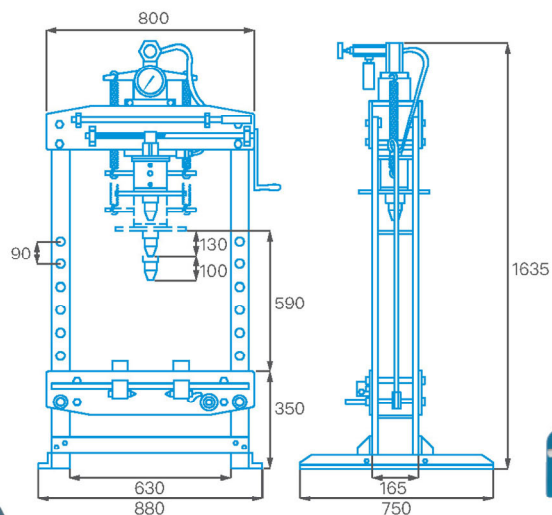




HP151

Dimension

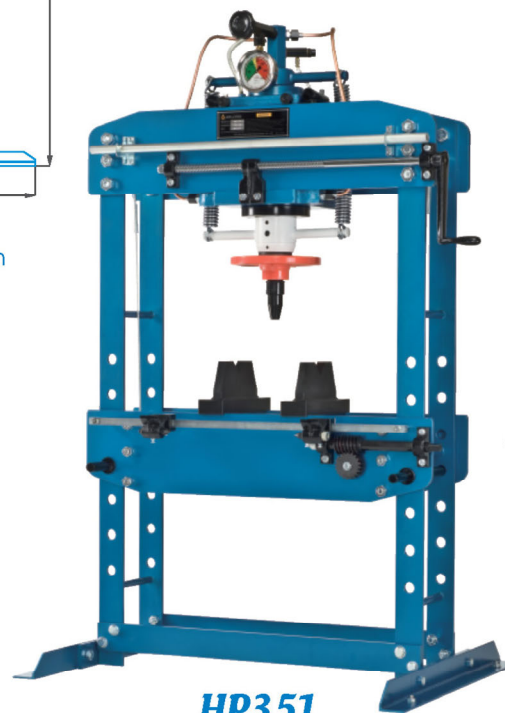


Dimension tolerances within ± 5 mm are considered normal.

15 TON / 35TON Manual Hydraulic Press

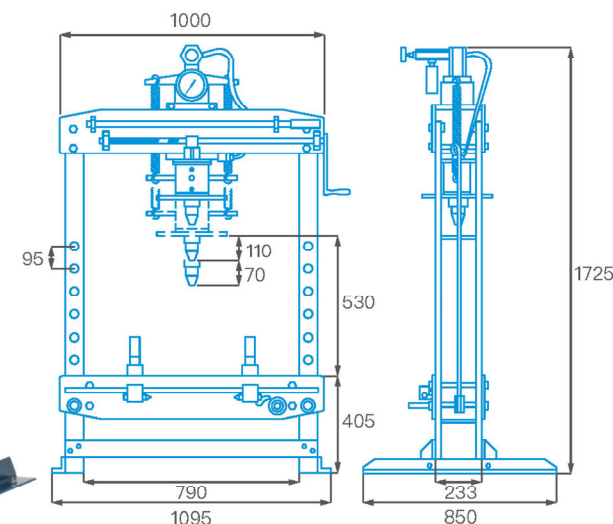
Feature

- (1) Can be operated manually. No electricity is needed.
- (2) Work table can freely adjust working distance (up-down) as per the size of work piece.
- (3) Professional manual hydraulic press: Unnecessary & efficient instrument for repairing and maintaining machinery, mold and automobile.
- (4) Hydraulic main body can adjust freely work distance (left/right) as per size of work piece.
- (5) Suitable to be applied for such functions as bending, deforming, rectifying, modeling or for bearing and gear shaft arbor getting pressed in or enforcing out.
- (6) HP351 Equipped with dual-speed high/low pressure: The operation is quick and convenient. Also, pressure safety valve is also equipped. When pressure exceeds 40 ton and above, it will release pressure automatically.



HP351

Dimension



Dimension tolerances within ± 5 mm are considered normal.

Model	Capacity	Cylinder Bore	Pressure	Cylinder Stroke	Packing	N.W.	G.W.	CUFT
HP151	15 TON	Ø 80 mm	300 kg/cm ²	130 mm	Wooden Crate	172.0 kgs	210.0 kgs	25'
HP351	35 TON	Ø 125 mm		110 mm		310.0 kgs	365.0 kgs	37'