

HP151

15 TON 手動油壓床 MANUAL HYDRAULIC PRESS

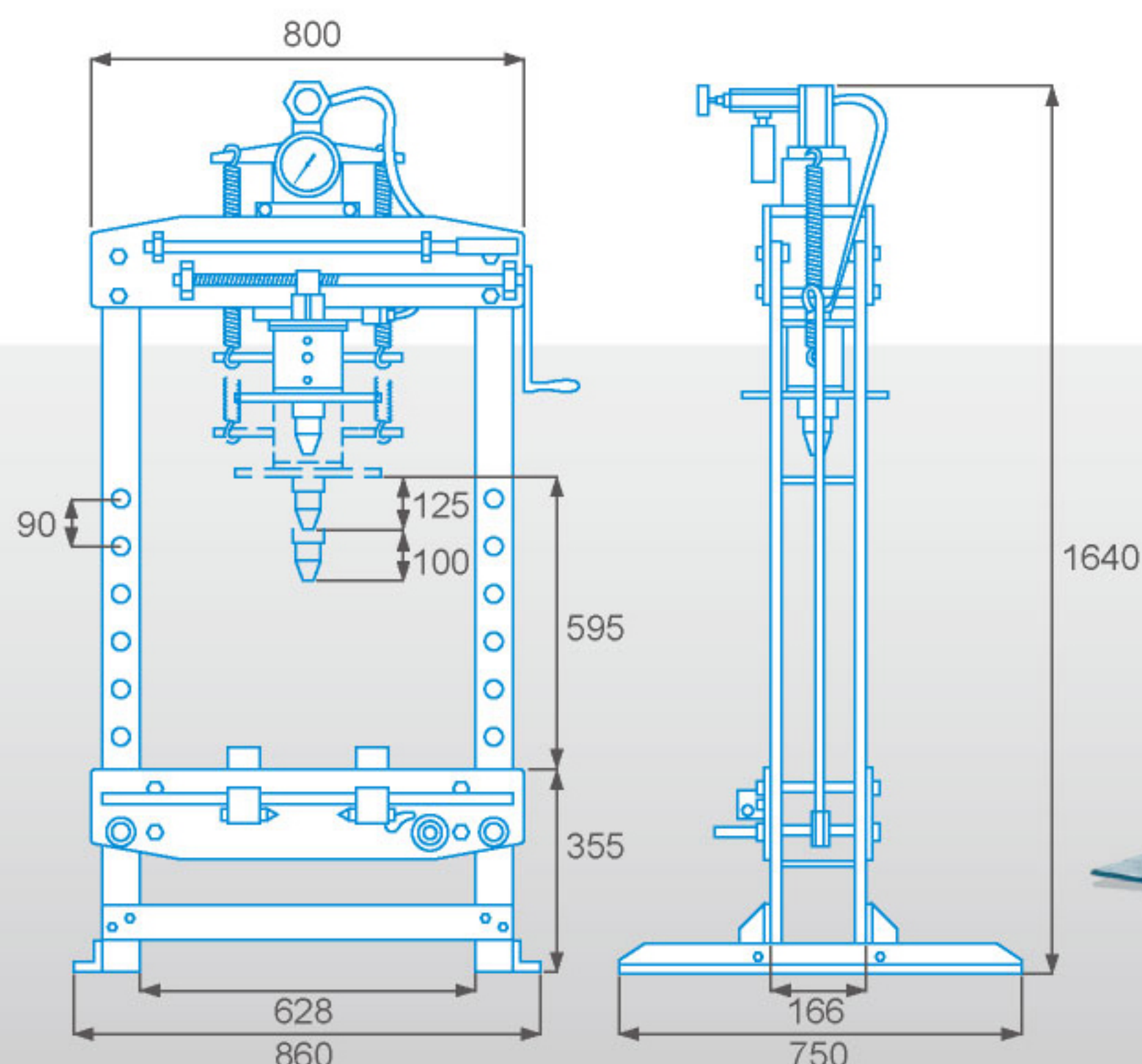
特點

- (1) 手動操作，無需電力。
- (2) 工作台可依工作物件的大小，上、下自由調整工作距離。
- (3) 專業型手動油壓床，為機械、模具、汽車維修時，不可或缺的利器。
- (4) 油壓主體可依工作物件的大小，上、下、左、右，自由調整工作距離。
- (5) 適用於各種機件彎曲變形、校正、整塑，或軸承、齒輪軸心壓入或逼出等功用。

Feature

- (1) Can be operated manually. No electricity is needed.
- (2) Work table can freely adjust working distance (up-down) as per the size of work piece.
- (3) Professional manual hydraulic press: Unnecessary & efficient instrument for repairing and maintaining machinery, mold and automobile.
- (4) Hydraulic main body can adjust freely work distance (up/down/left/right) as per size of work piece.
- (5) Suitable to be applied for such functions as bending, deforming, rectifying, modeling or for bearing and gear shaft arbor getting pressed in or enforcing out.

尺寸圖 Dimension



型號 Model	出力 Capacity	油壓缸內徑 Cylinder Bore	輸入壓力 Pressure	油壓缸行程 Cylinder Stroke	包裝方式 Packing	淨重 N.W.	毛重 G.W.	材積 CUFT
HP151	15 TON	ø80 mm	300 kg/cm ²	125 mm	外銷:板條箱 Wooden Crate	172.0 kgs	210.0 kgs	25'