

## INSTRUCTION & PART LIST

MODEL No. : APD005



### Feature

This precise dispenser using positive displacement principle, ensuring the supply of oil fixed, it can be used in the lubricating oil or grease and other fluids.



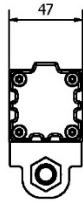
### WARNING

Prior to operating this pump, be sure to read this operation manual for safety. After reading the manual, please keep it at hand for your quick reference.

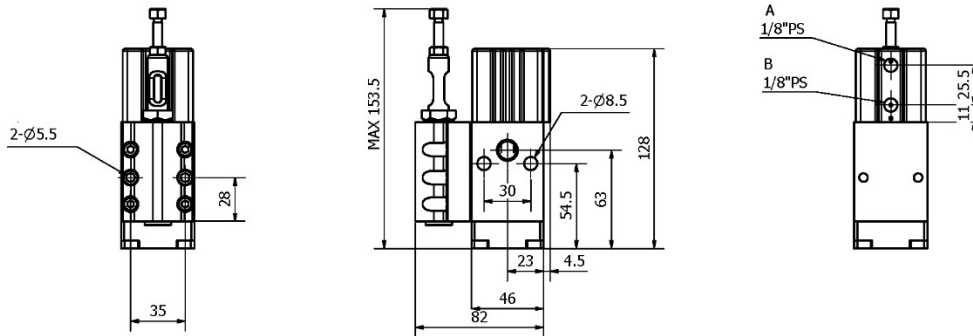
### Before installation and operation

Make sure the relevant technical information all correct for dispenser, such as: pressure, dispensing volume, and types of fluids. When the dispenser installed, make sure inner pipelines there is no pressure thrill, scrap, foreign objects, also need to avoid the conditions such as hard hits, drops from high place for dispenser, since above situation will affect the accuracy or damage to dispenser.

## 1. Sizes, Part description



B connector ON, it will refilling the fluid.  
A connector ON, it will start feeding fluid.



## 2. Pay attention in operation

1. Do not use excess pressure, excess pressure will cause oil spills.
2. There will be increased dispensing volume sometimes in the vicinity of the minimum dispensing volume, when the pressure of air input is high.
3. After standing for a long time (such as a lunch break or after work), it is possible when operating and the dispensing volume less accurate, because the residual pressure inside the pipe, or because of residual oil swelling caused by temperature changes, we recommend after long placing time, to proceed the production operation after operating several times.
4. To adjust the dispensing volume, make sure there is no pressure in the circuit inside (under increased pressure, adjust the dispensing volume becomes difficult).

## 3. Warranty

The dispenser is 12 month warranty from the delivery of factory under the normal using, as a result of force majeure natural disasters (such as lightning, flood, fire, etc.), and other man-made disasters (such as war) are not included in the warranty. The dispenser is suitable for lubricating oil, grease, engine oil or gear oil, if not use right fluid (such as hydrochloric acid and sulfuric acid or liquid diesel fuel, gasoline, toluene and other corrosive solvents) nor in the warranty.

## 4. Technical Specification

Dispensing volume(c.c.)		0.05~0.5
Inlet Size		G 1/4"
Outlet Size		G 1/4"
Min. Operation Pressure	Lubricant	50 kg/cm <sup>2</sup>
	Air Line	3 kg/cm <sup>2</sup>
Operating Pressure Range	Lubricant	50~150 kg/cm <sup>2</sup>
	Air Line	3~7 kg/cm <sup>2</sup>
Proof pressure for grease line		210 kg/cm <sup>2</sup>
Mass kg(Approx.)		1.6 kg