



JOLONG



JOLONG *We Make the World Smoother*



EXIT 16B
EAST
94
St Paul
1 MILE


JOLONG

JOLONG
LUBRICATION



公司簡介 / Company Introduction

久隆機械工業有限公司創立於1976年，前期以生產各式專用機為主，1991年開始以自有“**JOLONG**”商標生產各式潤滑設備及汽、機車維修工具，三十多年來致力於提供業界優良產品而深獲各界好評，感謝各界給予我們的支持與愛護，我們將繼續秉持品質第一、服務至上的原則，持續研究開發相關產品，讓業界能有更安全、方便、好用的機具來提高工作效率。

JO LONG Co., Ltd. is established in 1976. For the earlier stage, we mainly produced professional machinery. Since 1991, we start to use our “**JOLONG**” trademark to produce lubricating equipment and repairing tool of automobile and motorcycle. For the past 30 years, we devote to provide good products to the industry; therefore, we obtain good reputation. Thanks for your constant support and kindness. We will continue developing related products based on the principle of best quality and service to improve the working efficiency against safe, convenient and good machinery.

經營理念 / Operation Principle

本公司奉行品質第一、顧客滿意、持續改善的品質政策，並以專業化、數據化進行產品各項檢測，提供給國內外的買主及使用者高品質、性能卓越的產品以及一致性的售後服務。

Our quality policies are the quality is our number one priority, customer satisfaction and continuous improvement. Furthermore, we proceed each inspection against profession-based and data-based. We provide high quality and excellent performance product and consistent after-sales service to the domestic and international buyers and users.



未來展望 / Future Prospect

展望未來，我們期許能以超越期待的品質及功能，積極服務所有客戶，並依照我們的品質政策持續改善交期、品質、服務及系統。我們也期許產品能超越歐美日等先進國家，如同我們的標語「我們讓世界更順暢」，並與所有客戶創造一個雙贏的未來。

We expect to provide service to all our customers against the quality and function far beyond the expectation. Furthermore, we will continue improving the delivery time, quality, service and system according to our quality policy. We also expect the products can exceed any advanced country, like Europe or USA. Just like our slogan, "we make the world smoother" and we wish to create a win-win future with all our customers.

1976

公司創立於台中，設計製造各式專用機。

established in Taichung to design and produce professional machinery

1990

以 **JOLONG** 商標開始生產油壓床。

started to produce hydraulic press based on the trademark of **JOLONG**

1991

以 **JOLONG** 商標開始生產潤滑設備。

started to produce lubricating equipment based on the trademark of **JOLONG**

2006

導入企業資源管理系統(ERP)並全面運作。

introduced ERP into company and operated thoroughly



2010

遷移至台中市大里區
新廠並開始運作。

moved to the new
plant at Dali Dist. of
Taichung and
started to operate

2011

通過ISO 9001:2008
品質管理系統驗證，
開發各種流體抽取、
注入設備，應用於各
種行業。

passed ISO
9001:2008 quality
management
system
authorization,
developed any kind
of fluid withdrawal,
injection equipment,
applied in any
industry

公司設備 / Company Facilities





本公司生產設備有CNC數值控制車床、CNC中心加工機、油壓床、專業整廠數值一貫化生產設備；檢測設備有2D影像測量儀、電子顯微鏡等設備。

Our production facilities are CNC lathes, CNC Machining centers, hydraulic press, professional, numerical and consistent production process. Our testing facilities are video measuring machine, electric microscope and others.



公司認證 / Quality Certification

由於我們傑出的表現，因此於2000年獲得政府頒發績優外銷工廠獎、2004年獲得工業楷模獎，更於2005年獲得產品創新研發獎。2010年本公司擴大營業並遷移至現址，為進一步提升產品品質及提升服務水準，於2011年導入ISO 9001:2008品質管理系統並於2012年獲得認證通過。

Due to our outstanding performance, we got the award for merit in export granted by the government in 2000, business achiever award in 2004 and innovative product award in 2005. In 2010, we expanded our business and moved to the current address. In order to improve the product quality and service standard, we introduced ISO 9001:2008 quality management system into our company in 2011 and passed the authorization in 2012.





應用市場 Application Markets

氣動流體幫浦
Air Operated Fluid Pump





塗裝 Painting
油田 Oilfield
運輸工具 Vehicle
機械工具 Machine Tool
風力發電 Wind Energy
採礦業 Mining
水泥廠 Cement
製紙業 Pulp & Paper
印刷廠 Printing

食品業 Food
飲料製造業 Beverage Production
製藥業 Pharmacy Production
醫療業 Health care
美妝產品/保養品 Cosmetics Production
化工機械 Chemical Production Machine
金屬/鋼鐵製造業 Metals/Steel
農用機械 Agricultural Machine
輪胎廠 Tire Manufacturing
玻璃廠 Glass Manufacturing
物流 Material Handling
發電廠 Power Generation
製糖機械 Sugar Mills
港口 Shipping Ports



CONTENTS

15

基礎氣動液體幫浦
Air Operated
Fluid Pump



20

基礎氣動液體幫浦
Air Operated
Fluid Pump



25

置頂氣動液體幫浦
Air Operated
Fluid Pump



30

加壓式液體幫浦
Pressurized
Fluid Pumps



39

氣動機油幫浦
Air Operated
Oil Pump



48

氣動有機溶劑幫浦
Air Operated
Desel Oil Pump



50

手動液體幫浦
Hand Operated
Fluid Pump



53

手動油壓床
Manual
Hydraulic Press



56

電動油壓床
Automatic
Hydraulic Press



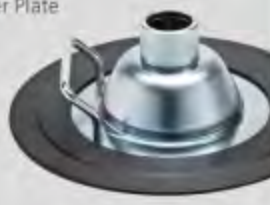
60

機油加油槍
Oil Gun



62

壓力板
Follower Plate



63

捲揚器
Hose Reels



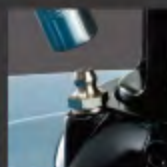


猛龍氣動流體幫浦

AIR OPERATED FLUID PUMP



噪音 順暢度 壓力 流量
Noise Smooth Pressure Flow



黃油回收孔
Grease recycle
nipple



剩餘油脂可回收至桶內
Surplus oil can be
returned to the bucket



萬向接頭可適應
任何角度
It's all angle
adjustable

SK101 | 猛龍氣動流體幫浦

AIR OPERATED FLUID PUMP

特點

- (1) 幫浦作動採油氣分離，不會污染油脂。
- (2) 典型的使用範圍為工廠、汽修廠、船舶保養、採礦機械、農耕、軍隊、建築、大眾運輸等。
- (3) 低噪音、出油順暢、不會間斷。
- (4) 幫浦本體材質採用高強度鋁合金鍛造成型。

用油

- (1) 一般 00#~2# 黃油均能順暢注入。
- (2) 內附FP101壓力板，可搭配使用於較高黏度黃油或寒冷地區。

Feature

- (1) Pump moves and oil suction are two separation system, it won't contaminating grease.
- (2) Typically used in workshops, service stations, fleet maintenance, mining, agriculture, armed forces, construction, trains, etc.
- (3) Low noise, smooth greasing, no disjointed greasing.
- (4) The pump is made of aluminum alloy by forging.

Grease usage

- (1) General 00#~2# grease all can be infused into smoothly.
- (2) Included FP101 follower plate, can be used with higher viscosity grease or cold areas.

放入方式 How to put inside



型號 Model	容量 Capacity	空氣輸入壓力 Air Input Pressure	壓力比 Pressure Ratio	黃油輸出壓力 Grease Output Pressure	輸出量 Deliver Rate	油管長度 Hose Length	淨重 N.W.	毛重 G.W.	材積 CUFT
SK101	20L	3~7 bar 40~100 psi	55 : 1	165~385 bar 2200~5500 psi	2 g/cycle	10 ft	15.0 kgs	17.5 kgs	5.5'

SK201 | 猛龍氣動流體幫浦

AIR OPERATED FLUID PUMP

特點

- (1) 幫浦作動採油氣分離，不會污染油脂。
- (2) 典型的使用範圍為工廠、汽修廠、船舶保養、採礦機械、農耕、軍隊、建築、大眾運輸等。
- (3) 低噪音、出油順暢、不會間斷。
- (4) 幫浦本體材質採用高強度鋁合金鍛造成型。

用油

- (1) 一般 00#~2# 黃油均能順暢注入。
- (2) 內附FP101壓力板，可搭配使用於較高黏度黃油或寒冷地區。

Feature

- (1) Pump moves and oil suction are two separation system, it won't contaminating grease.
- (2) Typically used in workshops, service stations, fleet maintenance, mining, agriculture, armed forces, construction, trains, etc.
- (3) Low noise, smooth greasing, no disjointed greasing.
- (4) The pump is made of aluminum alloy by forging.

Grease usage

- (1) General 00#~2# grease all can be infused into smoothly.
- (2) Included FP101 follower plate, can be used with higher viscosity grease or cold areas.

放入方式 How to put inside



型號 Model	容量 Capacity	空氣輸入壓力 Air Input Pressure	壓力比 Pressure Ratio	黃油輸出壓力 Grease Output Pressure	輸出量 Deliver Rate	油管長度 Hose Length	淨重 N.W.	毛重 G.W.	材積 CUFT
SK201	20L	3~7 bar 40~100 psi	55 : 1	185~385 bar 2200~5500 psi	2 g/cycle	10 ft	15.0 kgs	17.5 kgs	5.5'

SK301

猛龍氣動流體幫浦 AIR OPERATED FLUID PUMP

特點

- (1) 幫浦作動採油氣分離，不會污染油脂。
- (2) 典型的使用範圍為工廠、汽修廠、船舶保養、採礦機械、農耕、軍隊、建築、大眾運輸等。
- (3) 低噪音，出油順暢，不會間斷。
- (4) 幫浦本體材質採用高強度鋁合金鍛造成型。

用油

- (1) 一般 00#~2# 黃油均能順暢注入。
- (2) 內附FP101壓力板，可搭配使用於較高黏度黃油或寒冷地區。

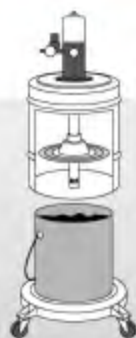
Feature

- (1) Pump moves and oil suction are two separation system, it won't contaminating grease.
- (2) Typically used in workshops, service stations, fleet maintenance, mining, agriculture, armed forces, construction, trains, etc.
- (3) Low noise, smooth greasing, no disjointed greasing.
- (4) The pump is made of aluminum alloy by forging.

Grease usage

- (1) General 00#~2# grease all can be infused into smoothly.
- (2) Included FP101 follower plate, can be used with higher viscosity grease or cold areas.

放入方式 How to put inside



型號 Model	容量 Capacity	空氣輸入壓力 Air Input Pressure	壓力比 Pressure Ratio	黃油輸出壓力 Grease Output Pressure	輸出量 Deliver Rate	油管長度 Hose Length	淨重 N.W.	毛重 G.W.	材積 CUFT
SK301	20L	3~7 bar 40~100 psi	55 : 1	165~385 bar 2200~5500 psi	2 g/cycle	10 ft	15.0 kgs	17.5 kgs	5.5'

SK401 | 猛龍氣動流體幫浦

AIR OPERATED FLUID PUMP

特點

- (1) 幫浦作動採油氣分離，不會污染油脂。
- (2) 典型的使用範圍為工廠、汽修廠、船舶保養、採礦機械、農耕、軍隊、建築、大眾運輸等。
- (3) 低噪音，出油順暢、不會間斷。
- (4) 幫浦本體材質採用高強度鋁合金鍛造成型。

用油

- (1) 一般 00#~2# 黃油均能順暢注入。
- (2) 內附FP501壓力板，可搭配使用於較高黏度黃油或寒冷地區。

Feature

- (1) Pump moves and oil suction are two separation system, it won't contaminating grease.
- (2) Typically used in workshops, service stations, fleet maintenance, mining, agriculture, armed forces, construction, trains, etc.
- (3) Low noise, smooth greasing, no disjointed greasing.
- (4) The pump is made of aluminum alloy by forging.

Grease usage

- (1) General 00#~2# grease all can be infused into smoothly.
- (2) Included FP501 follower plate, can be used with higher viscosity grease or cold areas.



產品配件 Accessory

Index	品號 Parts No	品名 Item	SK401	SK501	SK601
A	SK200L	幫浦 Pump	●	●	●
B	FP411	桶蓋 Drum Cover	●	-	-
C	FP501	壓力板 Follower Plate	●	-	-
D	GH-220-TG	黃油管 Hose	●	●	-
E	G300	黃油槍 Grease Gun	●	●	-

型號 Model	容量 Capacity	空氣輸入壓力 Air Input Pressure	壓力比 Pressure Ratio	黃油輸出壓力 Grease Output Pressure	輸出量 Deliver Rate	油管長度 Hose Length	淨重 N.W.	毛重 G.W.	材積 CUFT
SK401	200L	3~7 bar 40~100 psi	55:1	165~385 bar 2200~5500 psi	2 g/cycle	20 ft	19.2 kgs	21.5 kgs	2.3'
9.3 kgs							10.4 kgs	1'	
SK601						-	5.7 kgs	6.9 kgs	1'

暴龍氣動流體幫浦

AIR OPERATED FLUID PUMP



噪音
Noise

順暢度
Smooth

壓力
Pressure

流量
Flow



黃油回收孔
Grease recycle
nipple



剩餘油脂可回收至桶內
Surplus oil can be
returned to the bucket



高向接頭可適應
任何角度
It's all angle
adjustable

BW101 | 暴龍氣動液體幫浦

AIR OPERATED FLUID PUMP

特點

- (1) 幫浦動作及抽油為兩個獨立系統，壓縮空氣不會汙染桶內油脂。
- (2) 典型的使用範圍為工廠、汽修廠、船舶保養、探礦機械、農耕、軍隊、建築、大眾運輸等。
- (3) 低噪音，出油順暢，不會間斷。
- (4) 高壓力，適用長距離輸油。
- (5) 幫浦本體材質採用高強度鋁合金鍛造成型。

用油

- (1) 一般 00#~2# 黃油均能順暢注入。
- (2) 內附FP101壓力板，可搭配使用於較高黏度黃油或寒冷地區。

Feature

- (1) Pump moves and oil suction are two separation system, it won't contaminating grease.
- (2) Typically used in workshops, service stations, fleet maintenance, mining, agriculture, armed forces, construction, trains, etc.
- (3) Low noise, smooth greasing, no disjointed greasing.
- (4) High pressure, which is suitable for long distance transport.
- (5) The pump is made of aluminum alloy by forging.

Grease usage

- (1) General 00#~2# grease all can be infused into smoothly.
- (2) Included FP101 follower plate, can be used with higher viscosity grease or cold areas.

放入方式 How to put inside



型號 Model	容量 Capacity	空氣輸入壓力 Air Input Pressure	壓力比 Pressure Ratio	黃油輸出壓力 Grease Output Pressure	輸出量 Deliver Rate	油管長度 Hose Length	淨重 N.W.	毛重 G.W.	材積 CUFT
BW101	20L	2~5 bar 30~75 psi	80 : 1	160~400 bar 2400~6000 psi	2 g/cycle	10 ft	16.0 kgs	18.5 kgs	6.2'

BW201

暴龍氣動流體幫浦 AIR OPERATED FLUID PUMP

特點

- (1) 幫浦動作及抽油為兩個獨立系統，壓縮空氣不會汙染桶內油脂。
- (2) 典型的使用範圍為工廠、汽修廠、船舶保養、採礦機械、農耕、軍隊、建築、大運運輸等。
- (3) 低噪音、出油順暢、不會間斷。
- (4) 高壓力、適用長距離輸油。
- (5) 幫浦本體材質採用高強度鋁合金鍛造成型。

用油

- (1) 一般 00#~2# 黃油均能順暢注入。
- (2) 內附FP101壓力板，可搭配使用於較高黏度黃油或寒冷地區。

Feature

- (1) Pump moves and oil suction are two separation system, it won't contaminating grease.
- (2) Typically used in workshops, service stations, fleet maintenance, mining, agriculture, armed forces, construction, trains, etc.
- (3) Low noise, smooth greasing, no disjointed greasing.
- (4) High pressure, which is suitable for long distance transport.
- (5) The pump is made of aluminum alloy by forging.

Grease usage

- (1) General 00#~2# grease all can be infused into smoothly.
- (2) Included FP101 follower plate, can be used with higher viscosity grease or cold areas.

放入方式 How to put inside



型號 Model	容量 Capacity	空氣輸入壓力 Air Input Pressure	壓力比 Pressure Ratio	黃油輸出壓力 Grease Output Pressure	輸出量 Deliver Rate	油管長度 Hose Length	淨重 N.W.	毛重 G.W.	材積 CUFT
BW201	20L	2~5 bar 30~75 psi	80 : 1	160~400 bar 2400~6000 psi	2 g/cycle	10 ft	16.0 kgs	18.5 kgs	6.2'

BW301 | 暴龍氣動流體幫浦

AIR OPERATED FLUID PUMP

特點

- (1) 幫浦動作及抽油為兩個獨立系統 - 壓縮空氣不會汙染桶內油脂。
- (2) 典型的使用範圍為工廠、汽修廠、船舶保養、採礦機械、農耕、軍隊、建築、大眾運輸等。
- (3) 低噪音、出油順暢、不會間斷。
- (4) 高壓力、適用長距離輸油。
- (5) 幫浦本體材質採用高強度鋁合金鍛造成型。

用油

- (1) 一般 00#~2# 黃油均能順暢注入。
- (2) 內附FP101壓力板，可搭配使用於較高黏度黃油或寒冷地區。

Feature

- (1) Pump moves and oil suction are two separation system, it won't contaminating grease.
- (2) Typically used in workshops, service stations, fleet maintenance, mining, agriculture, armed forces, construction, trains, etc.
- (3) Low noise, smooth greasing, no disjointed greasing.
- (4) High pressure, which is suitable for long distance transport.
- (5) The pump is made of aluminum alloy by forging.

Grease usage

- (1) General 00#~2# grease all can be infused into smoothly.
- (2) Included FP101 follower plate, can be used with higher viscosity grease or cold areas.

放入方式 How to put inside



型號 Model	容量 Capacity	空氣輸入壓力 Air Input Pressure	壓力比 Pressure Ratio	黃油輸出壓力 Grease Output Pressure	輸出量 Deliver Rate	油管長度 Hose Length	淨重 N.W.	毛重 G.W.	材積 CUFT
BW301	20L	2~5 bar 30~75 psi	80 : 1	160~400 bar 2400~6000 psi	2 g/cycle	10 ft	16.0 kgs	18.5 kgs	6.2'

BW401 | 暴龍氣動流體幫浦

AIR OPERATED FLUID PUMP

特點

- (1) 幫浦動作及抽油筒兩個獨立系統，壓縮空氣不會污染桶內油脂。
- (2) 典型的使用範圍為工廠、汽修廠、船舶保養、採礦機械、農耕、軍隊、建築、大眾運輸等。
- (3) 低噪音，出油順暢，不會間斷。
- (4) 高壓力，適用長距離輸油。
- (5) 幫浦本體材質採用高強度鋁合金鍛造成型。

用油

- (1) 一般 00#~2# 黃油均能順暢注入。
- (2) 內附FP501壓力板，可搭配使用於較高黏度黃油或寒冷地區。

Feature

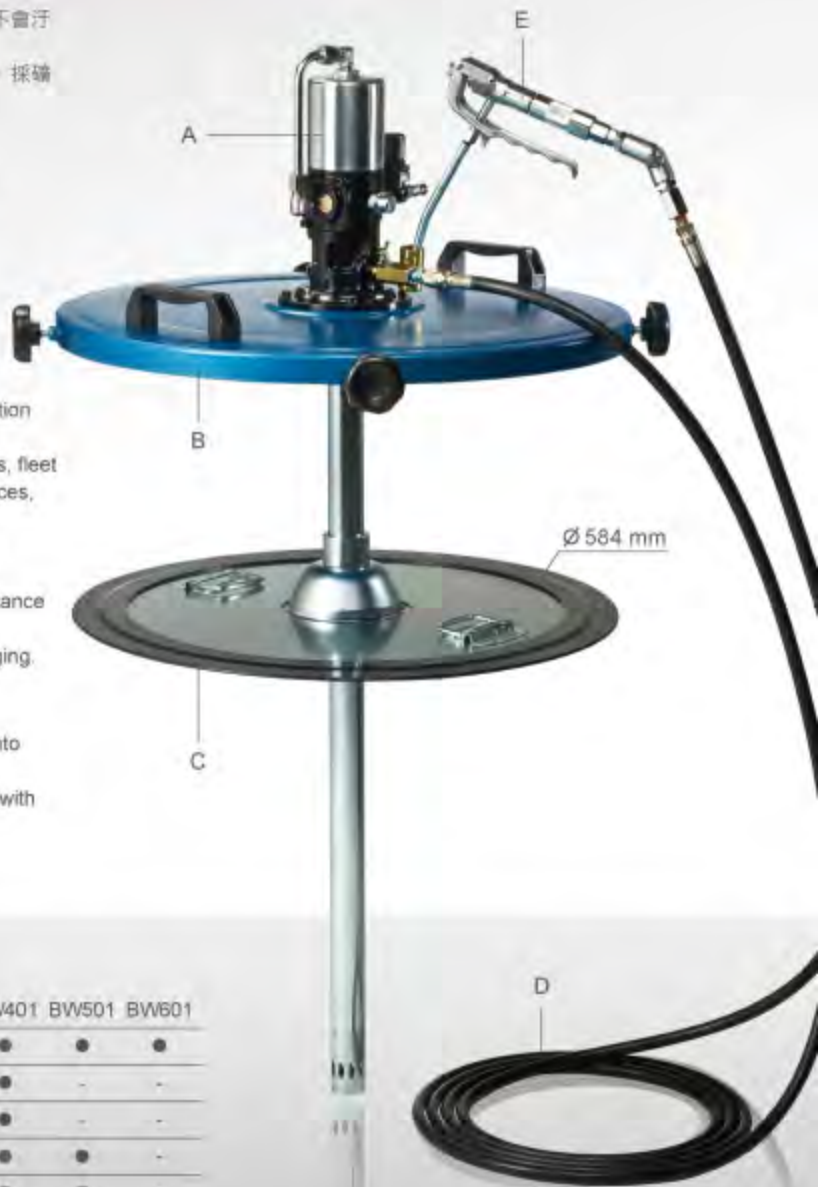
- (1) Pump moves and oil suction are two separation system, it won't contaminating grease.
- (2) Typically used in workshops, service stations, fleet maintenance, mining, agriculture, armed forces, construction, trains, etc.
- (3) Low noise, smooth greasing, no disjointed greasing.
- (4) High pressure, which is suitable for long distance transport.
- (5) The pump is made of aluminum alloy by forging.

Grease usage

- (1) General 00#~2# grease all can be infused into smoothly.
- (2) Included FP501 follower plate, can be used with higher viscosity grease or cold areas.

產品配件 Accessory

Index	品號 Parts No	品名 Item	BW401	BW501	BW601
A	BW200L	幫浦 Pump	●	●	●
B	FP401	桶蓋 Drum Cover	●	-	-
C	FP501	壓力板 Follower Plate	●	-	-
D	GH-220-TG	黃油管 Hose	●	●	-
E	G200	黃油槍 Grease Gun	●	●	-



型號 Model	容量 Capacity	空氣輸入壓力 Air Input Pressure	壓力比 Pressure Ratio	黃油輸出壓力 Grease Output Pressure	輸出量 Deliver Rate	油管長度 Hose Length	淨重 N.W.	毛重 G.W.	材積 CUFT
BW401	200L	2-5 bar 30-75 psi	80 : 1	160-400 bar 2400-6000 psi	2 g/cycle	20 ft	20.5 kgs	22.8 kgs	2.3'
BW501							10.3 kgs	11.5 kgs	
BW601							6.8 kgs	8.0 kgs	1'



雷龍氣動流體幫浦

AIR OPERATED FLUID PUMP



噪音 Noise
順暢度 Smooth
壓力 Pressure
流量 Flow



黃油回收孔
Grease recycle
nipple



剩餘油脂可回收至桶內
Surplus oil can be
returned to the bucket



萬向接頭可適應
任何角度
It's all angle
adjustable



接地接點可避免
靜電產生
The grounding contacts
can avoid generating
static electricity

LA101 | 雷龍氣動流體幫浦

AIR OPERATED FLUID PUMP

特點

- (1) 幫浦動作及抽油為兩個獨立系統，壓縮空氣不會汙染桶內油脂。
- (2) 典型的使用範圍為工廠、汽修廠、船舶保養、採礦機械、農耕、軍隊、建築、大眾運輸等。
- (3) 幫浦本體材質採用高強度鋁合金鍛造成型。

用油

- (1) 一般 00#~2# 黃油均能順暢注入。
- (2) 內附FP101壓力板，可搭配使用於較高黏度黃油或寒冷地區。

Feature

- (1) Pump moves and oil suction are two separation system, it won't contaminating grease.
- (2) Typically used in workshops, service stations, fleet maintenance, mining, agriculture, armed forces, construction, trains, etc.
- (3) The pump is made of aluminum alloy by forging.

Grease usage

- (1) General 00#~2# grease all can be infused into smoothly.
- (2) Included FP101 follower plate, can be used with higher viscosity grease or cold areas.

放入方式 How to put inside



型號 Model	容量 Capacity	空氣輸入壓力 Air Input Pressure	壓力比 Pressure Ratio	黃油輸出壓力 Grease Output Pressure	輸出量 Deliver Rate	油管長度 Hose Length	淨重 N.W.	毛重 G.W.	材積 CUFT
LA101	20L	4~9 bar 60~130 psi	45:1	180~405 bar 2700~5850 psi	9 g/cycle	10 ft	18.5 kgs	21.0 kgs	5.3'

LA201 | 雷龍氣動流體幫浦

AIR OPERATED FLUID PUMP

特點

- (1) 幫浦動作及抽油為兩個獨立系統，壓縮空氣不會污染桶內油脂。
- (2) 典型的使用範圍為工廠、汽修廠、船舶保養、採礦機械、農耕、軍隊、建築、大眾運輸等。
- (3) 幫浦本體材質採用高強度鋁合金鍛造成型。

用油

- (1) 一般 00#~2# 黃油均能順暢注入。
- (2) 內附FP101壓力板，可搭配使用於較高黏度黃油或寒冷地區。

Feature

- (1) Pump moves and oil suction are two separation system, it won't contaminating grease.
- (2) Typically used in workshops, service stations, fleet maintenance, mining, agriculture, armed forces, construction, trains, etc.
- (3) The pump is made of aluminum alloy by forging.

Grease usage

- (1) General 00#~2# grease all can be infused into smoothly.
- (2) Included FP101 follower plate, can be used with higher viscosity grease or cold areas.

放入方式 How to put inside



型號 Model	容量 Capacity	空氣輸入壓力 Air Input Pressure	壓力比 Pressure Ratio	黃油輸出壓力 Grease Output Pressure	輸出量 Deliver Rate	油管長度 Hose Length	淨重 N.W.	毛重 G.W.	材積 CUFT
LA201	20L	4~9 bar 60~130 psi	45:1	180~405 bar 2700~5850 psi	9 g/cycle	10 ft	19.8 kgs	22.8 kgs	6.2'

LA301 | 雷龍氣動流體幫浦

AIR OPERATED FLUID PUMP

特點

- (1) 幫浦動作及抽油為兩個獨立系統，壓縮空氣不會汙染桶內油脂。
- (2) 典型的使用範圍為工廠、汽修廠、船舶保養、採礦機械、農耕、軍隊、建築、大眾運輸等。
- (3) 幫浦本體材質採用高強度鋁合金鍛造成型。

用油

- (1) 一般 00#~2# 黃油均能順暢注入。
- (2) 內附FP101壓力板，可搭配使用於較高黏度黃油或寒冷地區。

Feature

- (1) Pump moves and oil suction are two separation system, it won't contaminating grease.
- (2) Typically used in workshops, service stations, fleet maintenance, mining, agriculture, armed forces, construction, trains, etc.
- (3) The pump is made of aluminum alloy by forging.

Grease usage

- (1) General 00#~2# grease all can be infused into smoothly.
- (2) Included FP101 follower plate, can be used with higher viscosity grease or cold areas.

放入方式 How to put inside



型號 Model	容量 Capacity	空氣輸入壓力 Air Input Pressure	壓力比 Pressure Ratio	黃油輸出壓力 Grease Output Pressure	輸出量 Deliver Rate	油管長度 Hose Length	淨重 N.W.	毛重 G.W.	材積 CUFT
LA301	20L	4~9 bar 60~130 psi	45:1	180~405 bar 2700~5850 psi	9 g/cycle	10 ft	16.6 kgs	21.1 kgs	6.2'

LA401 | 雷龍氣動流體幫浦

AIR OPERATED FLUID PUMP

特點

- (1) 幫浦動作及抽油蓋兩個獨立系統 - 壓縮空氣不會污染桶內油脂。
- (2) 典型的使用範圍為工廠、汽修廠、船舶保養、採礦機械、農耕、軍隊、建築、大眾運輸等。
- (3) 幫浦本體材質採用高強度鋁合金鍛造成型。

用油

- (1) 一般 00#~2# 黃油均能順暢注入。
- (2) 內附FP501壓力板，可搭配使用於較高黏度黃油或寒冷地區。

Feature

- (1) Pump moves and oil suction are two separation system, it won't contaminating grease.
- (2) Typically used in workshops, service stations, fleet maintenance, mining, agriculture, armed forces, construction, trains, etc.
- (3) The pump is made of aluminum alloy by forging.

Grease usage

- (1) General 00#~2# grease all can be infused into smoothly.
- (2) Included FP501 follower plate, can be used with higher viscosity grease or cold areas.



產品配件 Accessory

Index	品號 Parts No	品名 Item	LA401	LA501	LA601
A	LA200L	幫浦 Pump	●	●	●
B	FP401	桶蓋 Drum Cover	●	-	-
C	FP501	壓力板 Follower Plate	●	-	-
D	GH-220-TG	黃油管 Hose	●	●	-
E	G300	黃油槍 Grease Gun	●	●	-

型號 Model	容量 Capacity	空氣輸入壓力 Air Input Pressure	壓力比 Pressure Ratio	黃油輸出壓力 Grease Output Pressure	輸出量 Deliver Rate	油管長度 Hose Length	淨重 N.W.	毛重 G.W.	材積 CUFT
LA401	200L	4~9 bar 60~130 psi	45:1	180~405 bar 2700~5850 psi	9 g/cycle	20 ft	26.5 kgs	28.5 kgs	2.5'
14.5 kgs							15.5 kgs	1.2'	
LA601						-	10.0 kgs	11.0 kgs	1.2'



加壓式流體幫浦 PRESSURIZED FLUID PUMPS



特殊的設計，可供用於有
狹度的容器(φ265~φ300)
The special design is for
the container with
taper.(drum inner
dimension φ265~φ300)



往復式，大流量幫浦，使
供油更順暢
Reciprocating pump with
large flow enables
smoother oil supply.



雙氣壓缸同步加壓，可更順
暢抽取高黏度流體
Synchronous
pressurization of dual
pneumatic cylinder which
enables smoother extraction
of high viscosity fluid.

HV101

加壓式流體幫浦 PRESSURIZED FLUID PUMPS

特點

- (1) 雙氣壓缸結構設計，使機器操作更加平穩，作動受力更加平均，流體輸出更順暢。
- (2) 特殊的壓力板設計，能使壓力板與容器更能緊密結合，可輕鬆應對具有雜質之容器及高黏度流體，並可大幅減少容器內部、底部之殘餘材料。
- (3) 柱塞式設計無橡膠油封，可抽取潤滑脂或油墨等特殊流體物質。
- (4) 使用氣壓缸輔助加壓，可用於高黏度潤滑脂或是一般幫浦不易抽取之潤滑脂。
- (5) 適用各國廠牌5加侖原裝黃油桶。
- (6) 幫浦本體材質採用高強度鋁合金鍛造成型。

用油

- (1) 一般 00#~3# 潤滑脂均能使用，特殊潤滑脂使用請洽本公司。

Feature

- (1) Dual pneumatic cylinder structure design brings higher stability during operation, more average actuation force and smoother fluid output.
- (2) Special design of follower plate which enables the follower plate and container can be combined tighter. This can be used on any container with taper and high viscosity fluid and can further reduce the residual materials inside the container or at the bottom of container significantly.
- (3) The design of the non-rubber seal can extract special fluids such as grease or ink.
- (4) The pneumatic cylinder auxiliary press is suitable for high viscosity grease or the grease that hard to extract by normal pump.
- (5) Suitable for original 5 gallon grease drum from every country.
- (6) The pump is made of aluminum alloy by forging.

Grease usage

- (1) Available for normal 00#~3# grease. For special grease please contact with us.



型號 Model	容量 Capacity	空壓輸入壓力 Air Input Pressure	壓力比 Pressure Ratio	黃油輸出壓力 Grease Output Pressure	輸出量 Deliver Rate	油管長度 Hose Length	淨重 N.W.	毛重 G.W.	材積 CUFT
HV101	20L	4~9 bar 60~130 psi	45 : 1	180~405 bar 2700~5850 psi	9 g/cycle	10ft	52 kgs	77 kgs	10.9'

外徑尺寸 The Outside Dimension :

長 Length	寬 Width	最低高度 Mini Height	最高高度 Max Height
750 mm	760 mm	1000 mm	1400 mm

HV102 | 加壓式流體幫浦

PRESSURIZED FLUID PUMPS

特點

- (1) 雙氣壓缸結構設計，使機器操作更加平穩，作動受力更加平均，流體輸出更順暢。
- (2) 特殊的壓力板設計，能使壓力板與容器更能緊密結合，可輕鬆應對具有錐度之容器及高黏度流體，並可大幅減少容器內部、底部之殘餘材料。
- (3) 柱塞式設計無橡膠油封，可抽取潤滑脂或油墨等特殊流體物質。
- (4) 使用氣壓缸輔助加壓，可用於高黏度潤滑脂或是一般幫浦不易抽取之潤滑脂。
- (5) 大輸出流量設計，適用於各種生產線及大流量者使用。
- (6) 適用各國廠牌5加侖原裝黃油桶。
- (7) 幫浦本體材質採用鋁合金成型。

用油

- (1) 一般 00#~3# 潤滑脂均能使用，特殊潤滑脂使用請洽本公司。

Feature

- (1) Dual pneumatic cylinder structure design brings higher stability during operation, more average actuation force and smoother fluid output.
- (2) Special design of follower plate which enables the follower plate and container can be combined tighter. This can be used on any container with taper and high viscosity fluid and can further reduce the residual materials inside the container or at the bottom of container significantly.
- (3) The design of the non-rubber seal can extract special fluids such as grease or ink.
- (4) The pneumatic cylinder auxiliary press is suitable for high viscosity grease or the grease that hard to extract by normal pump.
- (5) The large output flow design is suitable for different production lines or demand for large flow.
- (6) Suitable for original 5 gallon grease drum from every country.
- (7) The pump is made of aluminum alloy.

Grease usage

- (1) Available for normal 00#~3# grease. For special grease please contact with us.



型號 Model	容量 Capacity	空氣輸入壓力 Air Input Pressure	壓力比 Pressure Ratio	黃油輸出壓力 Grease Output Pressure	輸出量 Deliver Rate	油管長度 Hose Length	淨重 N.W.	毛重 G.W.	材積 CUFT
HV102	20L	3~7 bar 40~100 psi	50:1	150~350 bar 2000~5000 psi	26 g/cycle	-	90 kgs	124 kgs	16.2'

外徑尺寸 The Outside Dimension:

長 Length	寬 Width	最低高度 Mini Height	最高高度 Max Height
800 mm	900 mm	1120 mm	1620 mm

HV103 | 加壓式流體幫浦

PRESSURIZED FLUID PUMPS

特點

- (1) 雙氣壓缸結構設計，使機器操作更加平穩，作動受力更加平均，流體輸出更順暢。
- (2) 特殊的壓力板設計，能使壓力板與容器更能緊密結合，可輕鬆應對高黏度流體，並可大幅減少容器內部、底部之殘餘材料。
- (3) 使用氣壓缸輔助加壓，可用於高黏度潤滑脂或是一般幫浦不易抽取之潤滑脂。
- (4) 適用各國廠牌50加侖原裝黃油桶。
- (5) 幫浦本體材質採用高強度鋁合金鍛造成型。

用油

- (1) 一般 00#~3# 潤滑脂均能使用，特殊潤滑脂使用請洽本公司。

Feature

- (1) Dual pneumatic cylinder structure design brings higher stability during operation, more average actuation force and smoother fluid output.
- (2) Special design of follower plate which enables the follower plate and container can be combined tighter. This can be used on high viscosity fluid and can further reduce the residual materials inside the container or at the bottom of container significantly.
- (3) The pneumatic cylinder auxiliary press is suitable for high viscosity grease or the grease that hard to extract by normal pump.
- (4) Suitable for original 50 gallon grease drum from every country.
- (5) The pump is made of aluminum alloy by forging.

Grease usage

- (1) Available for normal 00#~3# grease. For special grease please contact with us.



型號 Model	容量 Capacity	空壓輸入壓力 Air Input Pressure	壓力比 Pressure Ratio	黃油輸出壓力 Grease Output Pressure	輸出量 Deliver Rate	油管長度 Hose Length	淨重 N.W.	毛重 G.W.	材積 CUFT
HV103	200L	4~9 bar 60~130 psi	45 : 1	180~405 bar 2700~5850 psi	9 g/cycle	20ft	173 kgs	215 kgs	20.5'

外徑尺寸 The Outside Dimension :

長 Length	寬 Width	最低高度 Mini Height	最高高度 Max Height
740 mm	1050 mm	1440 mm	2440 mm

HV104 | 加壓式流體幫浦

PRESSURIZED FLUID PUMPS

特點

- (1) 雙氣壓缸結構設計，使機器操作更加平穩，作動受力更加平均，流體輸出更順暢。
- (2) 特殊的壓力板設計，能使壓力板與容器更能緊密結合，可輕鬆應對高黏度流體，並可大幅減少容器內部、底部之殘餘材料。
- (3) 柱塞式設計無橡膠油封，可抽取潤滑脂或油墨等特殊流體物質。
- (4) 使用氣壓缸輔助加壓，可用於高黏度潤滑脂或是一般幫浦不易抽取之潤滑脂。
- (5) 大輸出流量設計，適用於各種生產線及大流量者使用。
- (6) 適用各國廠牌50加侖原裝黃油桶。
- (7) 幫浦本體材質採用鋁合金成型。

用油

- (1) 一般 00#~3# 潤滑脂均能使用。特殊潤滑脂使用請洽本公司。

Feature

- (1) Dual pneumatic cylinder structure design brings higher stability during operation, more average actuation force and smoother fluid output.
- (2) Special design of follower plate which enables the follower plate and container can be combined tighter. This can be used on high viscosity fluid and can further reduce the residual materials inside the container or at the bottom of container significantly.
- (3) The design of the non-rubber seal can extract special fluids such as grease or ink.
- (4) The pneumatic cylinder auxiliary press is suitable for high viscosity grease or the grease that hard to extract by normal pump.
- (5) The large output flow design is suitable for different production lines or demand for large flow.
- (6) Suitable for original 50 gallon grease drum from every country.
- (7) The pump is made of aluminum alloy.

Grease usage

- (1) Available for normal 00#~3# grease. For special grease please contact with us.



型號 Model	容量 Capacity	空氣輸入壓力 Air Input Pressure	壓力比 Pressure Ratio	黃油輸出壓力 Grease Output Pressure	輸出量 Deliver Rate	油管長度 Hose Length	淨重 N.W.	毛重 G.W.	材積 CUFT
HV104	200L	3~7 bar 40~100 psi	50 : 1	150~350 bar 2000~5000 psi	26 g/cycle	-	188 kgs	230 kgs	20.5'

外徑尺寸 The Outside Dimension :

長 Length	寬 Width	最低高度 Mini Height	最高高度 Max Height
740 mm	1050 mm	1440 mm	2440 mm

HV201 | 加壓式流體幫浦

PRESSURIZED FLUID PUMPS

特點

- (1) 雙氣壓缸結構設計，使機器操作更加平穩，作動受力更加平均，流體輸出更順暢。
- (2) 特殊的壓力板設計，能使壓力板與容器更能緊密結合，可輕鬆應對具有難度之容器及高黏度流體，並可大幅減少容器內部、底部之殘餘材料。
- (3) 柱塞式設計無橡膠油封，可抽取潤滑脂或油墨等特殊流體物質。
- (4) 使用氣壓缸輔助加壓，可用於高黏度潤滑脂或是一般幫浦不易抽取之潤滑脂。
- (5) 大輸出流量設計，適用於各種生產線及大流量者使用。
- (6) 適用各國廠牌5加侖原裝黃油桶。
- (7) 幫浦本體材質採用鋁合金成型。

用油

- (1) 一般 00#~3# 潤滑脂均能使用。特殊潤滑脂使用請洽本公司。

Feature

- (1) Dual pneumatic cylinder structure design brings higher stability during operation, more average actuation force and smoother fluid output.
- (2) Special design of follower plate which enables the follower plate and container can be combined tighter. This can be used on any container with taper and high viscosity fluid and can further reduce the residual materials inside the container or at the bottom of container significantly.
- (3) The design of the non-rubber seal can extract special fluids such as grease or ink.
- (4) The pneumatic cylinder auxiliary press is suitable for high viscosity grease or the grease that hard to extract by normal pump.
- (5) The large output flow design is suitable for different production lines or demand for large flow.
- (6) Suitable for original 5 gallon grease drum from every country.
- (7) The pump is made of aluminum alloy.

Grease usage

- (1) Available for normal 00#~3# grease. For special grease please contact with us.



型號 Model	容量 Capacity	空氣輸入壓力 Air Input Pressure	壓力比 Pressure Ratio	黃油輸出壓力 Grease Output Pressure	輸出量 Deliver Rate	油管長度 Hose Length	淨重 N.W.	毛重 G.W.	材積 CUFT
HV201	20L	3~7 bar 40~100 psi	32 : 1	96~224 bar 1280~3200 psi	34 g/cycle	-	110 kgs	142 kgs	20.3'

外径尺寸 The Outside Dimension :

長 Length	寬 Width	最低高度 Mini Height	最高高度 Max Height
800 mm	750 mm	1200 mm	1600 mm

HV202 | 加壓式流體幫浦

PRESSURIZED FLUID PUMPS

特點

- (1) 雙氣壓缸結構設計，使機器操作更加平穩，作動受力更加平均，流體輸出更順暢。
- (2) 特殊的壓力板設計，能使壓力板與容器更能緊密結合，可輕鬆應對具有錐度之容器及高黏度流體，並可大幅減少容器內部、底部之殘餘材料。
- (3) 柱塞式設計無橡膠油封，可抽取潤滑脂或油墨等特殊流體物質。
- (4) 使用氣壓缸輔助加壓，可用於高黏度潤滑脂或是一般幫浦不易抽取之潤滑脂。
- (5) 大輸出流量設計，適用於各種生產線及大流量者使用。
- (6) 適用各國廠牌5加侖原裝黃油桶。
- (7) 幫浦本體材質採用鋁合金成型。

用油

- (1) 一般00#~3#潤滑脂均能使用。特殊潤滑脂使用請洽本公司。

Feature

- (1) Dual pneumatic cylinder structure design brings higher stability during operation, more average actuation force and smoother fluid output.
- (2) Special design of follower plate which enables the follower plate and container can be combined tighter. This can be used on any container with taper and high viscosity fluid and can further reduce the residual materials inside the container or at the bottom of container significantly.
- (3) The design of the non-rubber seal can extract special fluids such as grease or ink.
- (4) The pneumatic cylinder auxiliary press is suitable for high viscosity grease or the grease that hard to extract by normal pump.
- (5) The large output flow design is suitable for different production lines or demand for large flow.
- (6) Suitable for original 5 gallon grease drum from every country.
- (7) The pump is made of aluminum alloy.

Grease usage

- (1) Available for normal 00#~3# grease. For special grease please contact with us.



型號 Model	容量 Capacity	空氣輸入壓力 Air Input Pressure	壓力比 Pressure Ratio	黃油輸出壓力 Grease Output Pressure	輸出量 Deliver Rate	油管長度 Hose Length	淨重 N.W.	毛重 G.W.	材積 CUFT
HV202	20L	3~7 bar 40~100 psi	50 : 1	150~350 bar 2000~5000 psi	26 g/cycle	-	134 kgs	174 kgs	29.8'

外徑尺寸 The Outside Dimension :

長 Length	寬 Width	最低高度 Mini Height	最高高度 Max Height
800 mm	750 mm	1425 mm	1870 mm

HV301 | 加壓式氣動流體幫浦

HIGH VISCOSITY FLUID PUMP

特點

- (1) 幫浦動作及抽油為兩個獨立系統，壓縮空氣不會汙染桶內油脂。
- (2) 特殊的壓力板設計可供用於有錐度的容器(φ265~φ300)。
- (3) 典型的使用範圍為工廠、汽修廠、船舶保養、採礦機械、農耕、軍隊、建築、大眾運輸等。
- (4) 外加氣壓缸加壓，可使用在3#黃油或類似的流體上。
- (5) 適用各國廠牌5加侖原裝黃油桶。
- (6) 幫浦本體材質採用高強度鋁合金鍛造成型。

用油

- (1) 一般 00#~3# 黃油均能順暢注入。

Feature

- (1) Pump moves and oil suction are two separation system, it won't contaminating grease.
- (2) The special design of the follow plate is for the container with taper.(drum inner dimension φ 265~φ300).
- (3) Typically used in workshops, service stations, fleet maintenance, mining, agriculture, armed forces, construction, trains, etc.
- (4) Adopting the pressure design of additional air cylinder makes the stiff grease easier to be sucked.
- (5) Suitable for original 5 gallon grease drum from every country.
- (6) The pump is made of aluminum alloy by forging.

Grease usage

- (1) General 00#~3# grease all can be infused into smoothly.



型號 Model	容量 Capacity	空氣輸入壓力 Air Input Pressure	壓力比 Pressure Ratio	黃油輸出壓力 Grease Output Pressure	輸出量 Deliver Rate	油管長度 Hose Length	淨重 N.W.	毛重 G.W.	材積 CUFT
HV301	20L	4~9 bar 60~130 psi	45 : 1	180~405 bar 2700~5850 psi	9 g/cycle	10 ft	64 kgs	78.5 kgs	12'

外徑尺寸 The Outside Dimension :

長 Length	寬 Width	最低高度 Mini Height	最高高度 Max Height
460 mm	420 mm	1140 mm	1400 mm

HV302 | 加壓式氣動流體幫浦

HIGH VISCOSITY FLUID PUMP

特點

- (1) 雙氣壓缸結構設計，使機器操作更加平穩，作動受力更加平均，流體輸出更順暢。
- (2) 特殊的壓力板設計，能使壓力板與容器更能緊密結合，可輕鬆應對具有錐度之容器及高黏度流體，並可大幅減少容器內部、底部之殘餘材料。
- (3) 柱塞式設計無橡膠油封，可抽取潤滑脂或油墨等特殊流體物質。
- (4) 使用氣壓缸輔助加壓，可用於高黏度潤滑脂或是一般幫浦不易抽取之潤滑脂。
- (5) 大輸出流量設計，適用於各種生產線及大流量者使用。
- (6) 適用各國廠牌5加侖原裝黃油桶。
- (7) 幫浦本體材質採用鋁合金成型。

用油

- (1) 一般 00#~3# 黃油均能順暢注入。
- (2) 特殊潤滑脂適用範圍請洽本公司。

Feature

- (1) more average actuation force and smoother fluid output.
- (2) Special design of follower plate which enables the follower plate and container can be combined tighter. This can be used on any container with taper and high viscosity fluid and can further reduce the residual materials inside the container or at the bottom of container significantly.
- (3) The design of the non-rubber seal can extract special fluids such as grease or ink.
- (4) The pneumatic cylinder auxiliary press is suitable for high viscosity grease or the grease that hard to extract by normal pump.
- (5) The large output flow design is suitable for different production lines or demand for large flow.
- (6) Suitable for original 5 gallon grease drum from every country.
- (7) The pump is made of aluminum alloy.

Grease usage

- (1) General 00#~3# grease all can be infused into smoothly
- (2) For special grease please contact with us.



型號 Model	容量 Capacity	空氣輸入壓力 Air Input Pressure	壓力比 Pressure Ratio	黃油輸出壓力 Grease Output Pressure	輸出量 Deliver Rate	油管長度 Hose Length	淨重 N.W.	毛重 G.W.	材積 CUFT
HV302	20L	3~7 bar 40~100 psi	32 : 1	96~224 bar 1280~3200 psi	34 g/cycle	-	76.0 kgs	91.0 kgs	12'

外徑尺寸 The Outside Dimension :

長 Length	寬 Width	最低高度 Mini Height	最高高度 Max Height
460 mm	420 mm	1140 mm	1400 mm



氣動機油幫浦
AIR OPERATED OIL PUMP



OF301 OF302

氣動機油幫浦 AIR OPERATED OIL PUMP

特點

- (1) 幫浦動作及抽油為兩個獨立系統 - 壓縮空氣不會污染桶內油脂。
- (2) 典型的使用範圍為工廠、汽修廠、船舶保養、採礦機械、農耕、軍隊、建築、大眾運輸等。
- (3) 使用氣動幫浦，不須電力，可使用於有易燃物品的場所，如：加油站、汽車保養廠等場所。
- (4) 幫浦本體材質採用高強度鋁合金鍛造成型。

用油

- (1) 壓力比5:1適用於抽取 0#~120# 機油，及一般非腐蝕性溶劑。
- (2) 壓力比16:1適用於抽取 140#~200# 齒輪油，及一般非腐蝕性溶劑。
- (3) 若要知道所添加的油量，建議加購流量錶使用。(型號：M101、M201共二種可參考)
- (4) 若需延伸到較遠距離時，建議加購捲捲器使用。(型號：RE020)

Feature

- (1) Pump moves and oil suction are two separation system, it won't contaminating grease.
- (2) Typically used in workshops, service stations, fleet maintenance, mining, agriculture, armed forces, construction, trains, etc.
- (3) Use pneumatic pump, no need for electric power, can be used in places with flammable substances, such as, gas station, car maintenance plant etc.
- (4) The pump is made of aluminum alloy by forging.

Oil usage

- (1) Pressure ratio 5:1 suitable to pump 0#~120# engine oil or general non-corrosive solvent.
- (2) Pressure ratio 16:1 suitable to pump 140#~200# gear oil or general non-corrosive solvent.
- (3) If you want to know how much added oil volume is, we suggest you buy flow meter extra. (Model: M101, M201. There are two types for your option.)
- (4) If you want to pump the oil to long distance, we'd suggest hose reel be purchased extra. (Model: RE020)



型號 Model	容量 Capacity	空氣輸入壓力 Air Input Pressure	壓力比 Pressure Ratio	機油輸出壓力 Oil Output Pressure	輸出量 Deliver Rate	油管長度 Hose Length	淨重 N.W.	毛重 G.W.	材積 CUFT
OF301	200L	4~9 bar 60~130 psi	5 : 1	20~45 bar 300~650 psi	140 c.c./cycle	20 ft	15.6 kgs	16.7 kgs	1.2'
OF302			16 : 1	64~144 bar 960~2080 psi	80 c.c./cycle		16.1 kgs	17.2 kgs	

OF401 OF402

氣動機油幫浦 AIR OPERATED OIL PUMP

特點

- (1) 幫浦動作及抽油泵兩個獨立系統，壓縮空氣不會汙染桶內油脂。
- (2) 典型的使用範圍為工廠、汽修廠、船舶保養、採礦機械、農耕、軍隊、建築、大眾運輸等。
- (3) 使用氣動幫浦，不須電力，可使用於有易燃物品的場所，如：加油站、汽車保養廠等場所。
- (4) 幫浦本體材質採用高強度鋁合金成型。

用油

- (1) 壓力比10:1適用於抽取 0#~120# 機油，及一般非腐蝕性溶劑。
- (2) 壓力比32:1適用於抽取 140#~200# 齒輪油，及一般非腐蝕性溶劑。
- (3) 若要知道所添加的油量，建議加購流量錶使用。(型號：M101、M201共二種可參考)
- (4) 若需延伸到較遠距離時，建議加購捲揚器使用。(型號：RE020)

Feature

- (1) Pump moves and oil suction are two separation system, it won't contaminating grease.
- (2) Typically used in workshops, service stations, fleet maintenance, mining, agriculture, armed forces, construction, trains, etc.
- (3) Use pneumatic pump, no need for electric power, can be used in places with flammable substances, such as, gas station, car maintenance plant etc..
- (4) The pump is made of aluminum alloy.

Oil usage

- (1) Pressure ratio 10:1 suitable to pump 0#~120# engine oil or general non-corrosive solvent.
- (2) Pressure ratio 32:1 suitable to pump 140#~200# gear oil or general non-corrosive solvent.
- (3) If you want to know how much added oil volume is, we suggest you buy flow meter extra. (Model: M101, M201. There are two types for your option.)
- (4) If you want to pump the oil to long distance, we'd suggest hose reel be purchased extra. (Model: RE020)



型號 Model	容量 Capacity	空氣輸入壓力 Air Input Pressure	壓力比 Pressure Ratio	機油輸出壓力 Oil Output Pressure	輸出量 Deliver Rate	油管長度 Hose Length	淨重 N.W.	毛重 G.W.	材積 CUFT
OF401	200L	4~9 bar 60~130 psi	10 : 1	40~90 bar 600~1300 psi	140 c.c./cycle	20 ft	19.5 kgs	21.0 kgs	2.4'
OF402			32 : 1	128~288 bar 1920~4160 psi	80 c.c./cycle				

OF501 | 氣動機油幫浦

AIR OPERATED OIL PUMP

特點

- (1) 幫浦動作及抽油為兩個獨立系統，壓縮空氣不會汙染桶內油脂。
- (2) 典型的使用範圍為工廠、汽修廠、船舶保養、採礦機械、農耕、軍隊、建築、大眾運輸等。
- (3) 使用氣動幫浦，不須電力，可使用於有易燃物品的場所，如：加油站、汽車保養廠等場所。
- (4) 幫浦本體材質採用高強度鋁合金成型。

用油

- (1) 適用於抽取 0#~120# 機油，及一般非腐蝕性溶劑。
- (2) 若要知道所添加的油量，建議加購流量錶使用。(型號：M101、M201 共二種可參考)

Feature

- (1) Pump moves and oil suction are two separation system, it won't contaminating grease.
- (2) Typically used in workshops, service stations, fleet maintenance, mining, agriculture, armed forces, construction, trains, etc.
- (3) Use pneumatic pump, no need for electric power, can be used in places with flammable substances, such as, gas station, car maintenance plant etc.
- (4) The pump is made of aluminum alloy.

Oil usage

- (1) Suitable to pump 0#~120# engine oil or general non-corrosive solvent.
- (2) If you want to know how much added oil volume is, we suggest you buy flow meter extra. (Model: M101, M201. There are two types for your option.)



型號 Model	容量 Capacity	空氣輸入壓力 Air Input Pressure	壓力比 Pressure Ratio	機油輸出壓力 Oil Output Pressure	輸出量 Deliver Rate	油管長度 Hose Length	淨重 N.W.	毛重 G.W.	材積 CUFT
OF501	200L	4~9 bar 60~130 psi	1 : 1	4~9 bar 60~130 psi	150 c.c./cycle	20 ft	9.2 kgs	11.2 kgs	1.0'

OF601 | 氣動機油幫浦

AIR OPERATED OIL PUMP

特點

- (1) 幫浦動作及抽油有兩個獨立系統，壓縮空氣不會汙染桶內油脂。
- (2) 典型的使用範圍為工廠、汽修廠、船舶保養、採礦機械、農耕、軍隊、建築、大眾運輸等。
- (3) 使用氣動幫浦，不須電力，可使用於有易燃物品的場所，如：加油站、汽車保養廠等場所。
- (4) 壁掛式設計，適用於定點區域工作或生產線上使用。
- (5) 幫浦本體材質採用高強度鋁合金鍛造成型。

用油

- (1) 壓力比 5:1 適用於抽取 0#~120# 機油，及一般非腐蝕性溶劑。
- (2) 壓力比 16:1 適用於抽取 140#~200# 齒輪油，及一般非腐蝕性溶劑。
- (3) 若要知道所添加的油量，建議加購流量錶使用。(型號：M101、M201 共二種可參考)

Feature

- (1) Pump moves and oil suction are two separation system, it won't contaminating grease.
- (2) Typically used in workshops, service stations, fleet maintenance, mining, agriculture, armed forces, construction, trains, etc.
- (3) Use pneumatic pump, no need for electric power, can be used in places with flammable substances, such as, gas station, car maintenance plant etc.
- (4) Wall-mount design, suitable for certified area work or production line.
- (5) The pump is made of aluminum alloy by forging.

Oil usage

- (1) Pressure ratio 5:1 suitable to pump 0#~120# engine oil or general non-corrosive solvent.
- (2) Pressure ratio 16:1 suitable to pump 140#~200# gear oil or general non-corrosive solvent.
- (3) If you want to know how much added oil volume is, we suggest you buy flow meter extra. (Model: M101, M201. There are two types for your option.)



型號 Model	容量 Capacity	空氣輸入壓力 Air Input Pressure	壓力比 Pressure Ratio	機油輸出壓力 Oil Output Pressure	輸出量 Deliver Rate	油管長度 Hose Length	淨重 N.W	毛重 G.W	材積 CUFT
OF601	200L	4~9 bar 60~130 psi	5 : 1	20~45 bar 300~650 psi	140 C.C/cycle	20 ft	15.5 kgs	16.8 kgs	2.5
OF602			16 : 1	64~144 bar 960~2080 psi	80 c.c/cycle		16.0 kgs	17.3 kgs	

OF611

氣動機油幫浦

AIR OPERATED OIL PUMP

特點

- (1) 幫浦動作及抽油為兩個獨立系統，壓縮空氣不會汙染桶內油脂。
- (2) 使用氣動幫浦，不須電力，可使用於有易燃物品的場所，如：加油站、汽車保養廠等場所。
- (3) 大流量設計，適用於油類分裝廠或不需加壓場所使用。
- (4) 壁掛式設計，適用於定點區域工作或生產線上使用。
- (5) 幫浦本體材質採用高強度鋁合金成型。

用油

- (1) 適用於抽取 0#~120# 機油，及一般非腐蝕性溶劑。
- (2) 若要知道所添加的油量，建議加購流量錶使用。
(型號：M101、M201 共二種可參考)

Feature

- (1) Pump moves and oil suction are two separation system, it won't contaminating grease.
- (2) Use pneumatic pump, no need for electric power, can be used in places with flammable substances, such as, gas station, car maintenance plant etc.
- (3) Big flow design, suitable for oil packaging factory or place where not need for pressing.
- (4) Wall-mount design, suitable for certified area work or production line.
- (5) The pump is made of aluminum alloy.

Oil usage

- (1) Suitable to pump 0#~120# gear oil or general non-corrosive solvent.
- (2) If you want to know how much added oil volume is, we suggest you buy flow meter extra.
(Model: M101, M201. There are two types for your option.)



型號 Model	容量 Capacity	空氣輸入壓力 Air Input Pressure	壓力比 Pressure Ratio	機油輸出壓力 Oil Output Pressure	輸出量 Deliver Rate	油管長度 Hose Length	淨重 N.W	毛重 G.W	材積 CUFT
OF611	200L	4~9 bar 60~130 psi	1:1	4~9 bar	150 c.c/cycle	20 ft	12 kgs	13.3 kgs	2.5'

OF201 OF202

氣動機油幫浦 AIR OPERATED OIL PUMP

特點

- (1) 幫浦動作及抽油為兩個獨立系統，壓縮空氣不會污染桶內油質。
- (2) 典型的使用範圍為工廠、汽修廠、船舶保養、採礦機械、農耕、軍隊、建築、大眾運輸等。
- (3) 使用氣動幫浦，不須電力，可使用於有易燃物品的場所，如：加油站、汽車保養廠等場所。
- (4) 幫浦本體材質採用高強度鋁合金成型。

用油

- (1) 壓力比 5:1 適用於抽取 0#~120# 機油，及一般非腐蝕性溶劑。
- (2) 壓力比 16:1 適用於抽取 140#~200# 齒輪油，及一般非腐蝕性溶劑。
- (3) 若要知道所添加的油量，建議加購流量錶使用。(型號：M101、M201共二種可參考)

Feature

- (1) Pump moves and oil suction are two separation system, it won't contaminating grease.
- (2) Typically used in workshops, service stations, fleet maintenance, mining, agriculture, armed forces, construction, trains, etc.
- (3) Use pneumatic pump, no need for electric power, can be used in places with flammable substances, such as, gas station, car maintenance plant etc.
- (4) The pump is made of aluminum alloy.

Oil usage

- (1) Pressure ratio 5:1 suitable to pump 0#~120# engine oil or general non-corrosive solvent.
- (2) Pressure ratio 16:1 suitable to pump 140#~200# gear oil or general non-corrosive solvent.
- (3) If you want to know how much added oil volume is, we suggest you buy flow meter extra. (Model: M101, M201. There are two types for your option.)



型號 Model	容量 Capacity	空氣輸入壓力 Air Input Pressure	壓力比 Pressure Ratio	機油輸出壓力 Oil Output Pressure	輸出量 Deliver Rate	油管長度 Hose Length	淨重 N.W.	毛重 G.W.	材積 CUFT
OF201	40L	4~9 bar 60~130 psi	5 : 1	20~45 bar 300~650 psi	140 c.c/cycle	10 ft	22.5 kgs	26.5 kgs	9.5'
OF202			16 : 1	64~144 bar 960~2080 psi	80 c.c/cycle				

OF203 OF204

氣動機油幫浦 AIR OPERATED OIL PUMP

特點

- (1) 幫浦動作及抽油為兩個獨立系統，壓縮空氣不會污染桶內油脂。
- (2) 典型的使用範圍為工廠、汽修廠、船舶保養、探礦機械、農耕、軍隊、建築、大眾運輸等。
- (3) 使用氣動幫浦，不須電力，可使用於有易燃物品的場所，如：加油站、汽車保養廠等場所。
- (4) 幫浦本體材質採用高強度鋁合金鍛造成型。

用油

- (1) 壓力比 5:1 適用於抽取 0#~120# 機油，及一般非腐蝕性溶劑。
- (2) 壓力比 16:1 適用於抽取 140#~200# 齒輪油，及一般非腐蝕性溶劑。
- (3) 若要知道所添加的油量，建議加購流量錶使用。（型號：M101、M201 共二種可參考）

Feature

- (1) Pump moves and oil suction are two separation system, it won't contaminating grease.
- (2) Typically used in workshops, service stations, fleet maintenance, mining, agriculture, armed forces, construction, trains, etc.
- (3) Use pneumatic pump, no need for electric power, can be used in places with flammable substances, such as, gas station, car maintenance plant etc..
- (4) The pump is made of aluminum alloy by forging.

Oil usage

- (1) Pressure ratio 5:1 suitable to pump 0#~120# engine oil or general non-corrosive solvent.
- (2) Pressure ratio 16:1 suitable to pump 140#~200# gear oil or general non-corrosive solvent.
- (3) If you want to know how much added oil volume is, we suggest you buy flow meter extra. (Model: M101, M201. There are two types for your option.)



型號 Model	容量 Capacity	空氣輸入壓力 Air Input Pressure	壓力比 Pressure Ratio	機油輸出壓力 Oil Output Pressure	輸出量 Deliver Rate	油管長度 Hose Length	淨重 N.W.	毛重 G.W.	材積 CUFT
OF203	60L	4~9 bar 60~130 psi	5 : 1	20~45 bar 300~650 psi	140 c.c./cycle	10 ft	26.0 kgs	30.0 kgs	11.2'
OF204			16 : 1	64~144 bar 950~2080 psi	80 c.c./cycle				

OF205 | 氣動機油幫浦

AIR OPERATED OIL PUMP

特點

- (1) 幫浦動作及抽油為兩個獨立系統，壓縮空氣不會汙染桶內油脂。
- (2) 典型的使用範圍為工廠、汽修廠、船舶保養、採礦機械、農耕、軍隊、建築、大眾運輸等。
- (3) 使用氣動幫浦，不須電力，可使用於有易燃物品的場所，如：加油站、汽車保養廠等場所。
- (4) 幫浦本體材質採用高強度鋁合金成型。

用油

- (1) 壓力比 1:1 適用於抽取 0#~120# 機油，及一般非腐蝕性溶劑。
- (2) 若要知道所添加的油量，建議加購流量錶使用。
(型號：M101 - M201 共二種可參考)

Feature

- (1) Pump moves and oil suction are two separation system, it won't contaminating grease.
- (2) Typically used in workshops, service stations, fleet maintenance, mining, agriculture, armed forces, construction, trains, etc.
- (3) Use pneumatic pump, no need for electric power, can be used in places with flammable substances, such as, gas station, car maintenance plant etc.
- (4) The pump is made of aluminum alloy.

Oil usage

- (1) Pressure ratio 1:1 suitable to pump 0#~120# engine oil or general non-corrosive solvent.
- (2) If you want to know how much added oil volume is, we suggest you buy flow meter extra.
(Model: M101, M201. There are two types for your option.)



型號 Model	容量 Capacity	空氣輸入壓力 Air Input Pressure	壓力比 Pressure Ratio	機油輸出壓力 Oil Output Pressure	輸出量 Deliver Rate	油管長度 Hose Length	淨重 N.W.	毛重 G.W.	材積 CUFT
OF205	60L	4~9 bar 60~130 psi	1:1	4~9 bar 60~130 psi	150 c.c/cycle	10 ft	20.5 kgs	24.5 kgs	11.2'



氣動有機溶劑幫浦

AIR OPERATED DIESEL OIL PUMP



GF501 GF511

氣動有機溶劑幫浦 AIR OPERATED DIESEL OIL PUMP

特點

- (1) 本機型採用特殊油封，可抽取機油及一般有機溶劑(如：汽油、柴油、甲苯等)，但不可抽取酸鹼性溶劑(如：硫酸、鹽酸等)。
- (2) 典型的使用範圍為工廠、汽修廠、船舶保養、採礦機械、農耕、軍隊、建築、大眾運輸等。
- (3) 使用氣動幫浦，不須電力，可使用於有易燃物品的場所，如：加油站、汽車保養廠等場所。
- (4) 幫浦本體材質採用高強度鋁合金成型。

Feature

- (1) The machine uses special oil seal, it can suction engine oil and general organic solvent(example: gasoline, diesel oil, toluene), but it can't suction acidity solvent or alkaline solvent. (example: sulfuric acid, hydrochloric acid.)
- (2) Typically used in workshops, service stations, fleet maintenance, mining, agriculture, armed forces, construction, trains, etc.
- (3) Use pneumatic pump, no need for electric power, can be used in places with flammable substances, such as, gas station, car maintenance plant etc.
- (4) The pump is made of aluminum alloy.



型號 Model	容量 Capacity	空氣輸入壓力 Air Input Pressure	壓力比 Pressure Ratio	黃油輸出壓力 Grease Output Pressure	輸出量 Deliver Rate	油管長度 Hose Length	淨重 N.W.	毛重 G.W.	材積 CUFT
GF501	200L	4~9 bar 60~130 psi	1 : 1	4~9 bar 60~130 psi	150 c.c./cycle	20 ft	9.2 kgs	10.4 kgs	1.0'
GF511			5 : 1	70~45 bar 300~650 psi	140 c.c./cycle		15.7 kgs	17.2 kgs	1.2'



手動流體幫浦 HAND OPERATED FLUID PUMP



長度調整管，可用於
不同高度的原裝油桶
Length adjusting tube



剩餘油脂可回收至桶內
Surplus oil can be
returned to the bucket

HO701 HO501

手動機油機 / 齒輪油機

HAND OPERATED OIL PUMP / GEAR OIL PUMP

特點

- (1) 移動輕便，可使用於各種場合。
- (2) HO501適用於各國品牌5加侖桶裝機油或齒輪油。

用油

- (1) 適用於一般潤滑油及齒輪油，均能順暢注入。
- (2) 若欲知所添加的油量，建議加購流量錶使用。
(型號：M101、M201共二種可參考)

Feature

- (1) Move easily, can be used in various occasion.
- (2) Model HO501 suitable for original 5 gallon tank oil or gear oil from every country.

Oil usage

- (1) Suitable for lubricant oil or gear oil; all can be infused into smoothly.
- (2) If you want to know how much added oil volume is, we suggest you buy flow meter extra.
(Model: M101, M201. There are two types for your option.)



型號 Model	容量 Capacity	輸出量 Deliver Rate	油管長度 Hose Length	淨重 N.W.	毛重 G.W.	材積 CUFT
HO701	20L	100cc/ each cycle	6 ft	6.5 kgs	7.5 kgs	2.2'
HO501				4.5 kgs	5.0 kgs	1.0'

HG101 | 手動黃油機

HAND OPERATED GREASE PUMP

特點

(1) 桶內徑350mm · 桶內高365mm · 可容納各國5加侖桶裝黃油。

Feature

(1) Inside diameter (ID) of barrel is 350mm. The inside height of barrel is 365mm. It can contain world wide original barrels of 5 gallons.



型號 Model	容量 Capacity	輸出量 Deliver Rate	油管長度 Hose Length	淨重 N.W.	毛重 G.W.	材積 CUFT
HG101	30L	3.6 g/cycle	6 ft	10.5 kgs	13.5 kgs	5.1'



手動油壓床

MANUAL HYDRAULIC PRESS



可伸縮延長心軸
Arbor can be shrank
and extended



壓床頭部可左右移動
The head of Hydraulic
Press can move left
or right



工作台可調整高度，
方便工件放置
The height of working
table can be adjusted

HP151

15 TON 手動油壓床 MANUAL HYDRAULIC PRESS

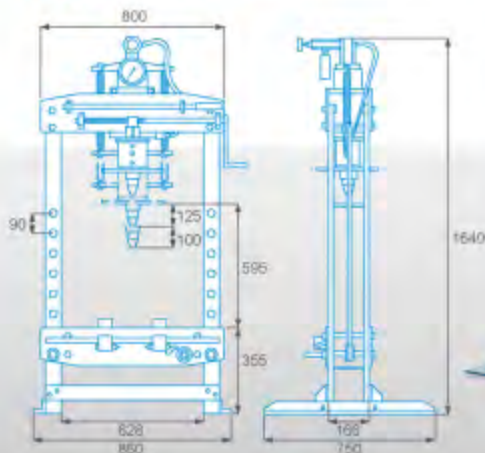
特點

- (1) 手動操作，無需電力。
- (2) 工作台可依工作物件的大小，上、下自由調整工作距離。
- (3) 專業型手動油壓床，為機械、模具、汽車維修時，不可或缺的利器。
- (4) 油壓主體可依工作物件的大小，上、下、左、右，自由調整工作距離。
- (5) 適用於各種機件彎曲變形、校正、整型，或軸承、齒輪軸心壓入或逼出等功用。

Feature

- (1) Can be operated manually. No electricity is needed.
- (2) Work table can freely adjust working distance (up-down) as per the size of work piece.
- (3) Professional manual hydraulic press: Unnecessary & efficient instrument for repairing and maintaining machinery, mold and automobile.
- (4) Hydraulic main body can adjust freely work distance (up/down/left/right) as per size of work piece.
- (5) Suitable to be applied for such functions as bending, deforming, rectifying, modeling or for bearing and gear shaft arbor getting pressed in or enforcing out.

尺寸圖 Dimension



型號 Model	出力 Capacity	油壓缸內徑 Cylinder Bore	輸入壓力 Pressure	油壓缸行程 Cylinder Stroke	包裝方式 Packing	淨重 N.W.	毛重 G.W.	材積 CUFT
HP151	15 TON	φ80 mm	300 kg/cm ²	125 mm	外鐵板模箱 Wooden Crate	172.0 kgs	210.0 kgs	25'

HP351

35 TON 手動油壓床 MANUAL HYDRAULIC PRESS

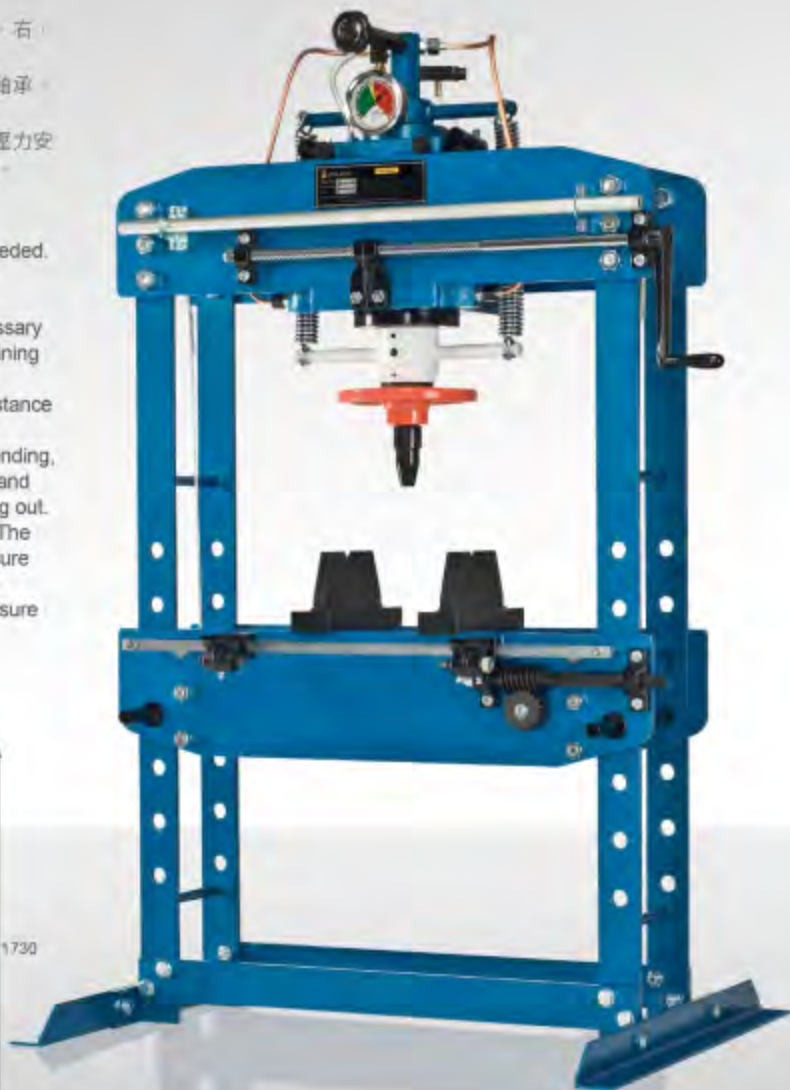
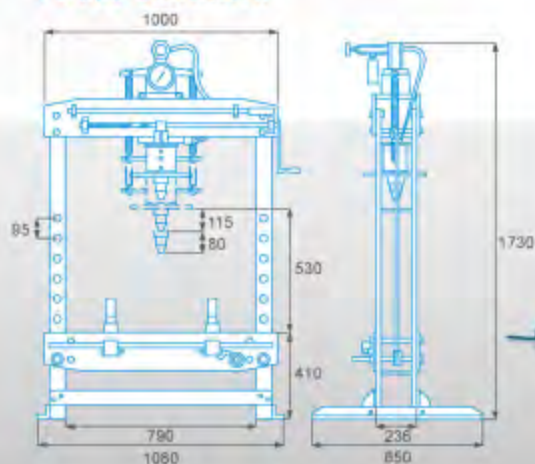
特點

- (1) 手動操作，無需電力。
- (2) 工作台可依工作物件的大小，上、下自由調整工作距離。
- (3) 專業型手動油壓床，為機械、模具、汽車維修時，不可或缺的利器。
- (4) 油壓主體可依工作物件的大小，上、下、左、右，自由調整工作距離。
- (5) 適用於各種機件彎曲變形、校正、整型，或軸承、齒輪軸心壓入或逼出等功用。
- (6) 配有雙速高、低壓，操作快速方便，並設有壓力安全閥，當壓力超過40噸以上時，會自動洩壓。

Feature

- (1) Can be operated manually. No electricity is needed.
- (2) Work table can freely adjust working distance (up-down) as per the size of work piece.
- (3) Professional manual hydraulic press: Unnecessary & efficient instrument for repairing and maintaining machinery, mold and automobile.
- (4) Hydraulic main body can adjust freely work distance (up/down/left/right) as per size of work piece.
- (5) Suitable to be applied for such functions as bending, deforming, rectifying, modeling or for bearing and gear shaft arbor getting pressed in or enforcing out.
- (6) Equipped with dual-speed high/low pressure: The operation is quick and convenient. Also, pressure safety valve is also equipped. When pressure exceeds 40 ton and above, it will release pressure automatically.

尺寸圖 Dimension



型號 Model	出力 Capacity	油壓缸內徑 Cylinder Bore	輸入壓力 Pressure	油壓缸行程 Cylinder Stroke	包裝方式 Packing	淨重 N.W.	毛重 G.W.	材積 CUFT
HP351	35 TON	φ125 mm	300 kg/cm ²	115 mm	外鏡:板條箱 Wooden Crate	310.0 kgs	365.0 kgs	37'



電動油壓床

AUTOMATIC HYDRAULIC PRESS



HP602 HP1002

60 TON / 100 TON 電動油壓床 AUTOMATIC HYDRAULIC PRESS

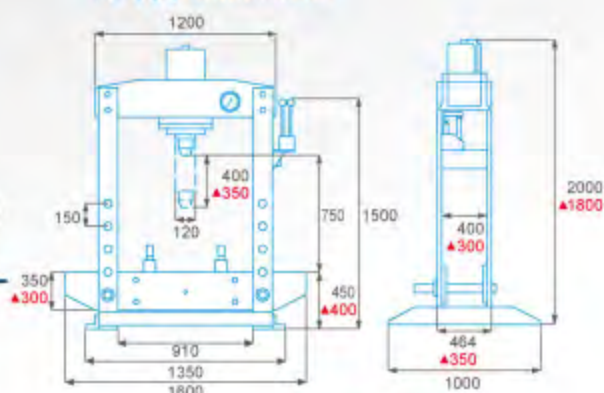
特點

- (1) 工作台可依工作物件的大小，上、下自由調整工作距離。
- (2) 適用於各種機件彎曲變形、校正、整型、或軸承、齒輪軸心壓入或逼出等功用。
- (3) 適用於一般大型車輛、輪船或鋼鐵工業、農業機械、礦工機械等，是大型工件製造、維修最好的幫手。
- (4) 配有雙速、高低壓、操作快速方便，並設有壓力安全閥，當壓力超壓時，會自動洩壓，操作安全、方便快速。

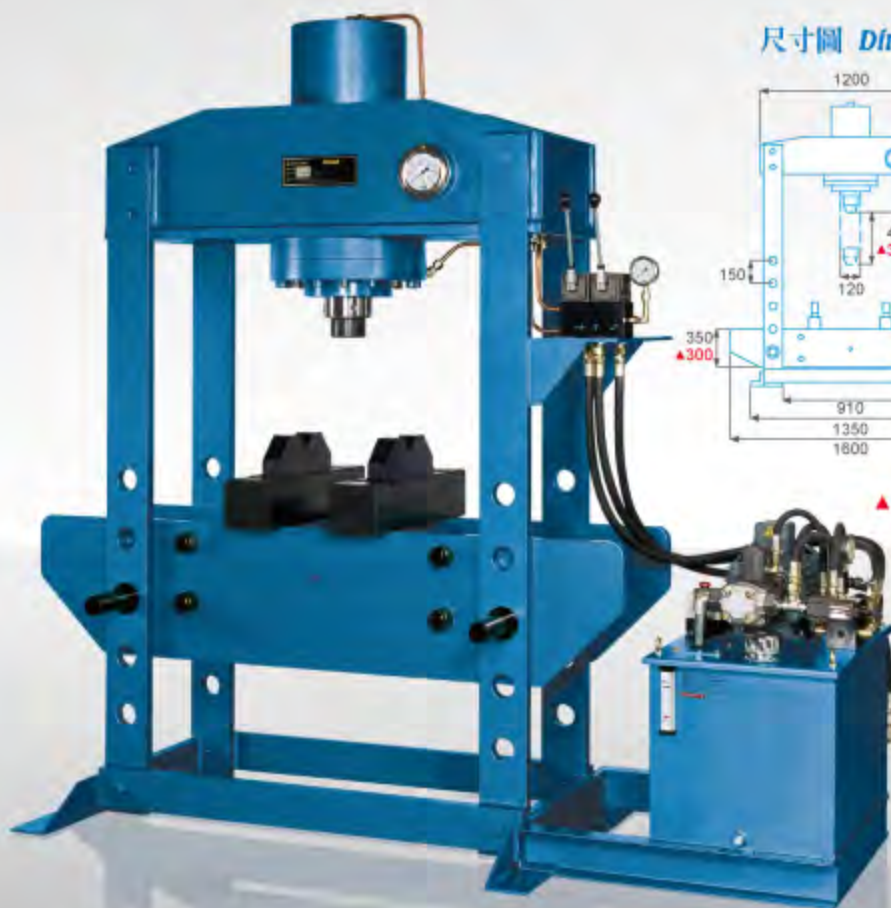
Feature

- (1) Work table can freely adjust working distance (up-down) as per the size of work piece.
- (2) Suitable to be applied for such functions as bending, deforming, rectifying, modeling or for bearing and gear shaft arbor getting pressed in or enforcing out.
- (3) Suitable for large-sized vehicles, ships, orsett/iron industries, agricultural machinery, minermachinery, etc. Best helper to the production and repair of work piece of big size.
- (4) Electric hydraulic press is equipped with dual-speed high/low pressure: The operation is quick and convenient. Also, pressure safety valve is also equipped. When pressure exceeds what it is supposed to be, it will release pressure automatically. The operation is quite safe, quick and convenient.

尺寸圖 Dimension



▲為HP602尺寸
▲Mark is dimension for HP602



型號 Model	出力 Capacity	油壓缸內徑 Cylinder Bore	輸入壓力 Pressure	油壓缸行程 Cylinder Stroke	包裝方式 Packing	淨重 N.W.	毛重 G.W.	材積 CUFT
HP602	60 TON	φ200 mm	220 kg/cm ²	350 mm	外銷:板條箱 Wooden Crate	956.0 kgs	1076.0 kgs	174'
HP1002	100 TON	φ250 mm		400 mm		1386.0 kgs	1550.0 kgs	200'

HP1502 | 150 TON 電動油壓床

AUTOMATIC HYDRAULIC PRESS

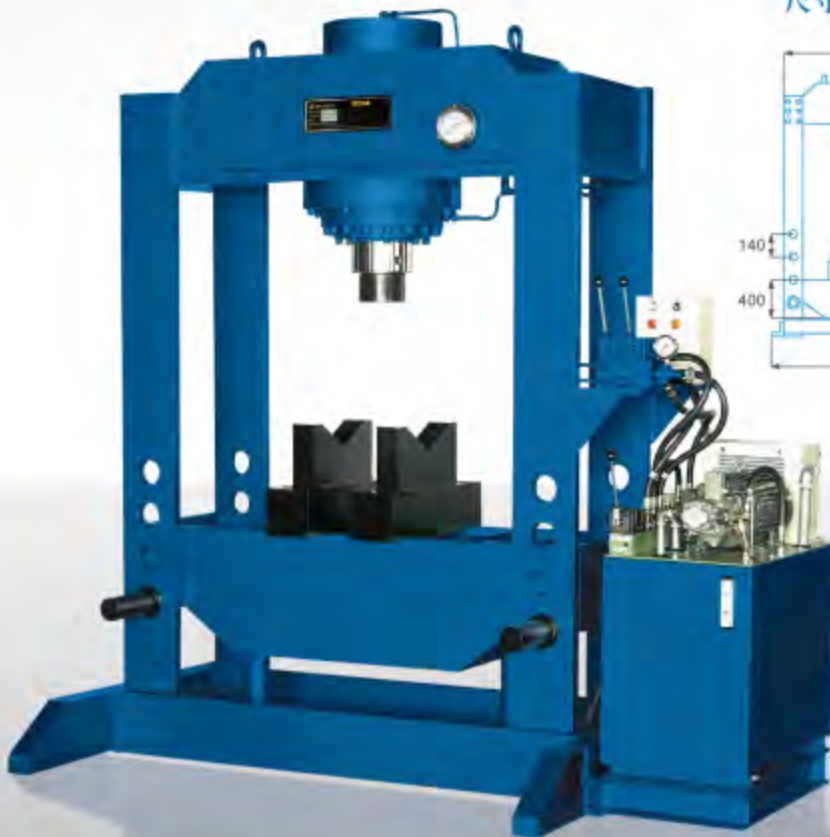
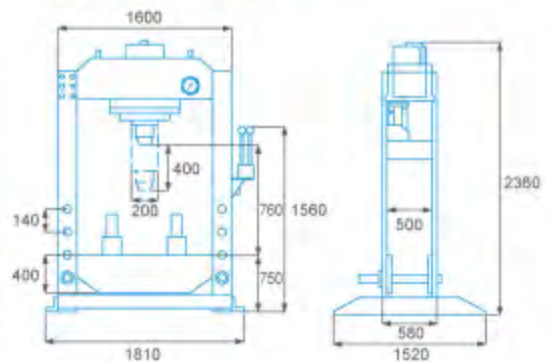
特點

- (1) 工作台可依工作物件的大小，上、下自由調整工作距離。
- (2) 適用於各種機件彎曲變形、校正、整型，或軸承、齒輪軸心壓入或逼出等功用。
- (3) 適用於一般大型車輛、輪船或鋼鐵工業、農業機械、礦工機械等，是大型工件製造、維修最好的幫手。
- (4) 電動油壓床配有雙速、高低壓，操作快速方便，並設有壓力安全閥，當壓力超壓時，會自動洩壓，操作安全、方便快速。
- (5) 工作台使用油壓缸調整上下高度，簡化操作難度。

Feature

- (1) Work table can freely adjust working distance (up-down) as per the size of work piece.
- (2) Suitable to be applied for such functions as bending, deforming, rectifying, modeling or for bearing and gear shaft arbor getting pressed in or enforcing out.
- (3) Suitable for large-sized vehicles, ships, orsett/iron industries, agricultural machinery, minermachinery, etc. Best helper to the production and repair of work piece of big size.
- (4) Electric hydraulic press is equipped with dual-speed high/low pressure: The operation is quick and convenient. Also, pressure safety valve is also equipped. When pressure exceeds what it is supposed to be, it will release pressure automatically. The operation is quite safe, quick and convenient.
- (5) Working bench adjust height by oil cylinder, it can simplify difficulty of operation.

尺寸圖 Dimension



型號 Model	出力 Capacity	油壓缸內徑 Cylinder Bore	輸入壓力 Pressure	油壓缸行程 Cylinder Stroke	包裝方式 Packing	淨重 N.W.	毛重 G.W.	材積 CUFT
HP1502	150 TON	φ300 mm	220 kg/cm ²	400 mm	外銷:板條箱 Wooden Crate	3200.0 kgs	3280.0 kgs	200'



配件系列

OPTIONAL ACCESSORY





G100
機油加油槍
Oil Gun



G102
機油加油槍
電子流量表
Oil Gun with
Digital Meter



G101
機油加油槍
指針流量表
Oil Gun with
Flow Meter



M201
電子流量表
Digital Flow Meter



M101
指針流量表
Flow Meter

型號 Model	進油口尺寸 Inlee	出油口尺寸 Outlet	淨重 N.W.
G100	1/2"	-	619.0 g
G102	1/2"	-	1183.5 g
G101	1/2"	-	1224.0 g
M201	1/2"	1/2"	500.0 g
M101	1/4"	1/4"	575.5 g

G3005
連接桿
Extend Pipe



G3004
尖嘴型連接桿
Extend Pipe for Small Hole



G3003
標準型連接桿
Extend Pipe with Standard Coupler



G3008
標準型軟管
Flexible Extend Hose with Standard Coupler



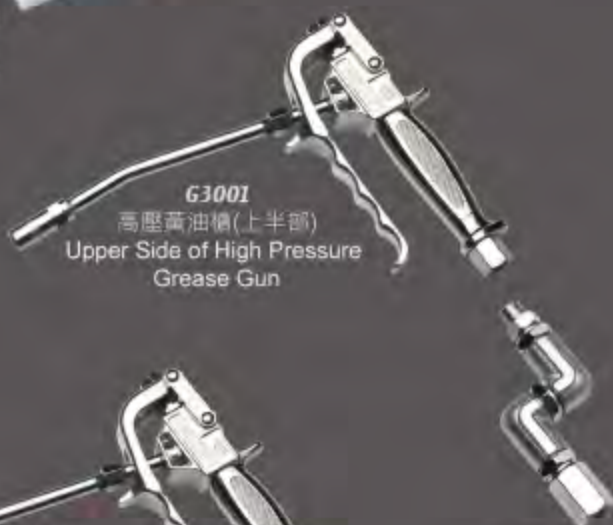
G3006
標準型注油嘴
Standard Coupler



G3007
尖嘴型注油嘴
Small Hole
Injecting Connector



G3001
高壓黃油槍(上半部)
Upper Side of High Pressure
Grease Gun



G300
高壓黃油槍
High Pressure Grease Gun



G3002
萬象接頭
Z Type Swivel



G200
高壓黃油槍
High Pressure Grease Gun

型號 Model	進油口尺寸 Inlee	出油口尺寸 Outlet	淨重 N.W.
G3005	1/8"	1/8"	32.0 g
G3004	1/8"	2 mm	41.0 g
G3003	1/8"	-	65.0 g
G3008	1/8"	-	72.5 g
G3006	1/8"	-	33.0 g

型號 Model	進油口尺寸 Inlee	出油口尺寸 Outlet	淨重 N.W.
G3007	1/8"	2 mm	9.0 g
G3001	1/4"	-	781.0 g
G3002	1/4"	1/4"	363.0g
G300	1/4"	-	1124.0 g
G200	1/4"	-	1072.0 g

**FP401**

LA、BW系列桶蓋(50加侖)
Drum Cover for LA, BW Series

**FP411**

SK系列桶蓋(50加侖)
Drum Cover for SK Series

**FP501**

壓力板(50加侖)
Follower Plate

**FP101**

壓力板(5加侖)
Follower Plate



壓力板&桶蓋 DRUM COVER & FOLLOWER PLATE

型號 Model	淨重 N.W.	毛重 G.W.	材積 CUFT	包裝 Packing
FP201 (FP411+FP501)	10.0 kgs	10.2 kgs	1.8'	紙箱 Box
FP301 (FP401+FP501)	10.0 kgs	10.2 kgs	1.8'	紙箱 Box
FP401	5.6 kgs	6.8 kgs	1.3'	紙箱 Box
FP411	5.7 kgs	6.9 kgs	1.3'	紙箱 Box
FP501	4.3 kgs	5.5 kgs	1.8'	紙箱 Box
FP101	1.0 kgs	1.5 kgs	0.3'	紙箱 Box



without

吸取黃油後形成中
空。不意吸取
It will be hollow
after sucking and
also not easy to
suck.

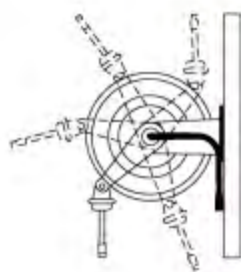


with

使用壓力板可使吸
力均勻，吸取順暢
The grease can
be sucked evenly
and smoothly with
follower plate.



操作方式
Operation



可換向
Switching



可換向捲揚器 HOSE REELS

型號 Model	適用油種 Applied to	進油口尺寸 Inlee	出油口尺寸 Outlet	淨重 N.W.	毛重 G.W.	油管長度 Hose Length	包裝 Packing
RE010	黃油 Grease	1/4"	1/4"	19.2 kgs	20.2 kgs	1/4" x 15 M	紙箱 Box
RE020	機油 Oil	1/2"	1/2"	19.8 kgs	20.8 kgs	1/2" x 15 M	紙箱 Box



M301
LA系列調壓閥
Air Regulator
for LA Series



M302
SK · BW系列調壓閥
Air Regulator
for SK, BW Series

調壓閥 AIR REGULATOR

型號 Model	進氣口尺寸 Inlee	出氣口尺寸 Outlet	淨重 N.W.
M301	1/4"	1/4"	225 g
M302			



感謝您的支持
Thanks !

我們感謝所有客戶給予我們的信賴與支持，使得久隆能在30年來持續的成長，同時感謝所有協力廠商的支持，使得久隆能在劇烈變化的經濟裡安然度過每次的危機，並將危機化為轉機，為下一階段成長儲備前進的動力。希望您能一如既往地給予我們支持與鼓勵，同時不吝給予指教，讓我們有持續為您服務的機會。

A gratitude to all our customers who trusted and supported us for the past 30 years. This enabled us to grow up continuously. Meanwhile, we are grateful for the support of all the vendors. Without it, **JOLONG** would not be able to tide over the crisis safely under the rapid changing economic and turned every crisis into a chance to accumulate the ongoing power for next stage. We sincerely hope you could continue supporting us. Thank you for giving us the opportunity to serve you.



氣動流體幫浦 | 油壓床 | 潤滑機械
Air operated fluid pump | Hydraulic press | Lubricated machine

We Make the World Smoother

久隆機械工業有限公司 JOLONG MACHINE INDUSTRIAL CO., LTD

41277 台中市大里區健行路6巷88號
No. 88, Lane 6, Jianxing Rd., Dali Dist., Taichung City 41277, Taiwan
T: 886-4-24927009 / F: 886-4-24927007
E: info@jolong.com.tw / W: www.jolong.com.tw

